

SIYAM SINCE 1992
RADIATOR

HD / MD & BUS ALUMINUM RADIATORS

CATALOGUE



THE COOLEST
ON THE ROAD



ABOUT SIYAM GROUP

siyamradiators.com

Founded in 1992, Siyam Group, is specialized in developing and manufacturing OE, customized, and aftermarket, core and complete cooling products.

We offer a wide range of copper and aluminum radiators, intercoolers, and condensers for passenger vehicles, trucks, tractors, heavy-duty equipment, Generators, Gen-sets.

We have distinguished ourselves by providing high quality products, with superior services, delivered on-time and at a competitive price. **We are ISO 9001:2015 certified.**

INDEX

PLASTIC / ALUMINUM RADIATORS FOR TRUCKS

Chevrolet / GMC	04 - 05
Freightliner / Ford / Sterling	06 - 22
Hino	23
International / Navistar	24 - 31
Isuzu	32
Kenworth / Peterbilt	33 - 41
Mack / Volvo	42 - 47
Western Star	48 - 49

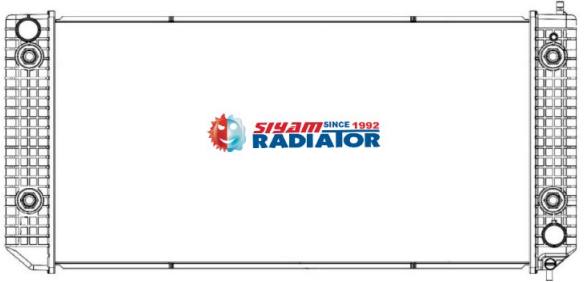
PLASTIC / ALUMINUM RADIATORS FOR BUSES

Bluebird	50 - 53
Freightliner / Thomas	54 - 56
International / Navistar	57



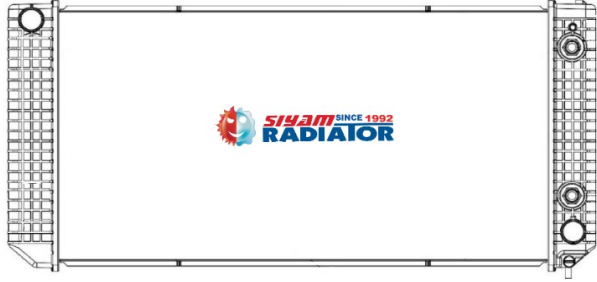
MD/HD COMPLETE TRUCK RADIATOR FOR CHEVROLET/GM MODELS

12648-XB P/A




Chevrolet / GMC	Kodiak, GMC Topkick with 7.2L, 7.8L, 8.1L engines
Core Size	: 37 1/8" X 19 1/8" X 1 7/8"
No. of Rows	: 2
Inlet Pipe	: 1 3/4"
Outlet Pipe	: 1 3/4"
EOC	: Yes
TOC	: Yes
OEM Ref.	: 15013551 / 15258917 / 15797463
Other Ref.	: 239023 / HDC010273PA / 20011201 / 437274 / 580033 / 1003639 / 21693 / GMC33
Year	: 2003-2007

12648-XBM P/A




Chevrolet / GMC	Topkick / Kodiak 6.6L
Core Size	: 37 1/8" X 19 1/8" X 1 7/8"
No. of Rows	: 2
Inlet Pipe	: 1 3/4"
Outlet Pipe	: 1 3/4"
EOC	: No
TOC	: Yes
OEM Ref.	: 1003638 / 21694 / 15013500 / 15170904 / 15170906 / 15797461
Other Ref.	: 238782 / HDC010272PA / 437570P / 80034 / GMC34
Year	: 2003-2007

12652-XB P/A



Chevrolet / GMC	GMC Workhorse
Core Size	: 28 1/4" X 19 1/4" X 1 7/16"
No. of Rows	: 2
Inlet Pipe	: 1 5/16"
Outlet Pipe	: 1 9/16"
EOC	: Yes
TOC	: Yes
OEM Ref.	: 52494798 / 52473153 / 52491734
Other Ref.	: 238636 / RAD1530 / CR1530 / 1530 / GMC38 / DPI1530 / 1767 / DPI1767 / HDC010521PA
Year	: 2004-2008

12737-XB P/A



Chevrolet / GMC	Kodiak / Topkick
Core Size	: 42 7/8" X 23 1/8" X 1 7/8"
No. of Rows	: 2
Inlet Pipe	: 1 13/16"
Outlet Pipe	: 1 13/16"
EOC	: No
TOC	: Yes
OEM Ref.	: 15258914 / 15797458 / 19130054 / 21697 / 21580 / 21581
Other Ref.	: 238716 / HDC010277PA / 437574P / GMC29 / 580029PT
Year	: 2003-2007



MD/HD COMPLETE TRUCK RADIATOR FOR CHEVROLET/GM MODELS

12738-XB

P/A



Chevrolet / GMC		Topkick
Core Size	: 37 3/16" X 23 1/8" X 2 3/16"	
No. of Rows	: 2	
Inlet Pipe	: 1 13/16"	
Outlet Pipe	: 1 13/16"	
EOC	: Yes	
TOC	: Yes	
OEM Ref.	: 15258916 / 19130048 / 21698 / 15258915 / 8152589150 / 15797460 / 15013569	
Other Ref.	: 238641 / HDC010879PA / 580043 / GMC39	
Year	: 2003-2007	

12840

P/A



Chevrolet / GMC		Kodiak / Topkick
Core Size	: 37 3/16" x 23 1/8" x 2 1/16"	
No. of Rows	: 2	
Inlet Pipe	: 1 13/16"	
Outlet Pipe	: 1 13/16"	
EOC	: No	
TOC	: Yes	
OEM Ref.	: 15170910 / 15797459 / 21591 / 21696 / B1459 / 15258912 / 8152589120 / 1517091	
Other Ref.	: 238642 / HDC010276PA / GMC30 / CTAVT83744TT	
Year	: 2003-2007	

12841

P/A



Chevrolet / GMC		Topkick
Core Size	: 37 1/4" x 23 1/8" x 1 7/8"	
No. of Rows	: 2	
Inlet Pipe	: 1 13/16"	
Outlet Pipe	: 1 13/16"	
EOC	: Yes	
TOC	: No	
OEM Ref.	: 15258913 / 15921764 / 21695 / B1449 / 1003650 / 15013564 / 15170908 / 1003650AB	
Other Ref.	: 239015 / HDC010873PA / 580042 / GMC35	
Year	: 2003-2007	



MD/HD COMPLETE TRUCK RADIATOR FOR FREIGHTLINER MODELS

12246 P/A

Freightliner	Century Class & American LaFrance Fire Truck
Core Size	: 36" X 30 5/8" X 2 3/16"
No. of Rows	: 2
Inlet Pipe	: 2 1/2"
Outlet Pipe	: 2 1/2"
EOC	: No
TOC	: No
OEM Ref.	: 11C9091 / 1AH000016R / 1AH00016R / 1AH00062R / 1AH00081 / 1AH00081R
Other Ref.	: 239136 / 800007PT / 20011707 / HDC010007PA / 437157 / BTC7157 / CTVTX80472 / 8MK376761581 / BHT1AH00081 / FRE07
Year	: 1997-2006

12246-SB P/A

Freightliner	Century Class & American LaFrance Fire Truck (with Frame)
Core Size	: 36" X 30 5/8" X 2 3/16"
No. of Rows	: 2
Inlet Pipe	: 2 1/2"
Outlet Pipe	: 2 1/2"
EOC	: No
TOC	: No
OEM Ref.	: 11C9091 / 1AH000016R / 1AH00016R / 1AH00062R / 1AH00081 / 1AH00081R
Other Ref.	: 800007PTWF / FRE07ALM / HDC010377SK / 557157F / 437157F / CTVTX80472 / FRE07F / 376761581
Year	: 1997-2006

12248 P/A

Freightliner	Century, Columbia series
Core Size	: 41 13/16" X 30 5/8" X 2 3/16"
No. of Rows	: 2
Inlet Pipe	: 2 1/2"
Outlet Pipe	: 2 1/2"
EOC	: No
TOC	: No
OEM Ref.	: A0519870005 / A051987006 / A0519870014 / A0519870016 / A0519870018 / A0519870020 / BHTD0530 / BHTD0635 / BHTE7244
Other Ref.	: 239139 / 800032PT / 613RA032 / 437431 / 20011724 / HDC010145PA / CVTM81713 / FRE32
Year	: 2004-2007

12249 P/A

Freightliner	Century, Columbia series
Core Size	: 41 15/16" X 30 5/8" X 2 3/16"
No. of Rows	: 2
Inlet Pipe	: 2 1/2"
Outlet Pipe	: 2 1/2"
EOC	: No
TOC	: No
OEM Ref.	: 19870016 / A05519870014 / A05519870016 / BHT00530 / BHTD0535 / BHTE3831 / BHT98476
Other Ref.	: 238603 / 800024PT / 437370 / CVTM81843 / 20011716 / HDC010154PA / OAFR9299 / CTVTU81343 / A0519870000 / FRE24
Year	: 2004-2006



MD/HD COMPLETE TRUCK RADIATOR FOR FREIGHTLINER MODELS

12325 P/A

Freightliner FLD_Century, Classic XL / Sterling 9500 series

Core Size	: 36" X 38 1/2" X 1 7/8"
No. of Rows	: 2
Inlet Pipe	: 2 1/2"
Outlet Pipe	: 2 1/2"
EOC	: No
TOC	: No
OEM Ref.	: 140052W / A4738 / BHAA4738 / BHT7472 / BHTA4726 / BHTA4738 / BHTB4742 / BHTB7472 / BHTC2237 / BHTE3758 / BHTE4812 / BHTE6125
Other Ref.	: 239142 / 800020PT / 20011710 / 437398 / HDC010021PA / CVTM80673 / A0520659000 / FRE20 / 8MK376761591
Year	: 2002-2007

12330 P/A

Freightliner Century, Columbia series

Core Size	: 41 13/16" X 30 5/8" X 2 3/16"
No. of Rows	: 2
Inlet Pipe	: 2 1/2"
Outlet Pipe	: 2 1/2"
EOC	: No
TOC	: No
OEM Ref.	: 520514001 / A0519870002 / A0519870003 / A0519870009 / A0519870011 / A0519870013 / A0519870015
Other Ref.	: 239138 / 800022PT / FRE22 / BTC7157CPSM / 20011711 / 437601 / FLX000235 / HDC010023PA / CVTM80593
Year	: 2004-2007

12330-SB P/A

Freightliner Century, Columbia series (with Frame)

Core Size	: 41 13/16" X 30 5/8" X 2 3/16"
No. of Rows	: 2
Inlet Pipe	: 2 1/2"
Outlet Pipe	: 2 1/2"
EOC	: No
TOC	: No
OEM Ref.	: 520514001 / A0519870002 / A0519870003 / A0519870009 / A0519870011 / A0519870013 / A0519870015
Other Ref.	: 800022PTWF / FRE22F / BTC7157CPSM / FLX000235 / CVTM80593 / E7233002
Year	: 2004-2007

12333 P/A

Freightliner Century series, Coronado

Core Size	: 38" X 38 1/2" X 1 7/8"
No. of Rows	: 2
Inlet Pipe	: 2 1/2"
Outlet Pipe	: 2 1/2"
EOC	: No
TOC	: No
OEM Ref.	: BHT75080 / BHT75084 / BHTB5323 / BHTC8987
Other Ref.	: 239010 / 800051PT / 20011712 / 437260 / BTC7157CSM / FRE13 / CTVTM82623 / HDC010088PA / 8MK376761601
Year	: 2003-2010



MD/HD COMPLETE TRUCK RADIATOR FOR FREIGHTLINER MODELS

12335 P/A

Freightliner M2 / Cascadia / Ford Sterling 9500 Series

Core Size	: 38 7/8" X 38 1/2" X 2 3/16"
No. of Rows	: 2
Inlet Pipe	: 2 1/2"
Outlet Pipe	: 2 1/2"
EOC	: No
TOC	: Yes
OEM Ref.	: 0526619004 / 0526619024 / 0527751004 / 0527751025 / 0529619002 / 0529619025 / A0526619004 / A0526619024 / A0527751004
Other Ref.	: 238612 / 900041PT / 611RA941 / FRE71 / 437251 / 20011728 / HDC010106PA / CAVTM82743 / MOD1A0210530000
Year	: 2008-2013

12338 P/A

Freightliner Columbia / Cascadia / Century

Core Size	: 42" X 37 3/4" X 2 3/16"
No. of Rows	: 2
Inlet Pipe	: 2 1/2"
Outlet Pipe	: 2 1/2"
EOC	: No
TOC	: Yes
OEM Ref.	: A0525301006 / A0525301002 / 0524936002 / 0524936005 / A0527743010 / A0527743006
Other Ref.	: 239086 / 800068PT / 613RA068 / FRE68PA / 20011725 / CTAVTM83033 / HDC010117PA / A0525301006 / MOD3E011860004 / 437248
Year	: 2008-2015

12338-SB P/A

Freightliner Columbia / Cascadia / Century

Core Size	: 42" X 37 3/4" X 2 3/16"
No. of Rows	: 2
Inlet Pipe	: 2 1/2"
Outlet Pipe	: 2 1/2"
EOC	: No
TOC	: Yes
OEM Ref.	: A0525301006 / A0525301002 / 0524936002 / 0524936005 / A0527743010 / A0527743006
Other Ref.	: 800068PTWF / 437248PF
Year	: 2008-2015

12348 P/A

Freightliner M2 Bus with Mercedes Engine

Core Size	: 29 5/8" x 26 5/16" x 1 7/8"
No. of Rows	: 2
Inlet Pipe	: 2"
Outlet Pipe	: 2"
EOC	: No
TOC	: Yes
OEM Ref.	: BHTP5926001 / P5926001
Other Ref.	: 238617 / 800066PT / FRE42 / 437267P / HDC010119PA
Year	: 2004-2007



MD/HD COMPLETE TRUCK RADIATOR FOR FREIGHTLINER MODELS

12377 P/A

Freightliner	Cascadia (with Frame)
Core Size	: 35 1/16" X 38 1/2" X 2 3/16"
No. of Rows	: 2
Inlet Pipe	: 2 1/2"
Outlet Pipe	: 2 1/2"
EOC	: No
TOC	: No
OEM Ref.	: TXE1003850 / TXE1003850D / 1003850 / TXE1102843C / 1102843 / TXE1004004B
Other Ref.	: 800131PTWF / TXE1003850 / 1102843C / TXE1004004B / 1102837C / FRE131F
Year	: 2017-2023

12377-XB P/A

Freightliner	Cascadia
Core Size	: 35 1/16" X 38 1/2" X 2 3/16"
No. of Rows	: 2
Inlet Pipe	: 2 1/2"
Outlet Pipe	: 2 1/2"
EOC	: No
TOC	: No
OEM Ref.	: TXE1003850 / TXE1003850D / 1003850 / TXE1102843C / 1102843 / TXE1004004B
Other Ref.	: 800131PT / TXE1003850 / 1102843C / TXE1004004B / 1102837C / FRE131
Year	: 2017-2023

12377-AS P/A

Freightliner	Cascadia (with Frame)
Core Size	: 35 1/16" X 38 1/2" X 2 3/16"
No. of Rows	: 2
Inlet Pipe	: 2 1/2"
Outlet Pipe	: 2 1/2"
EOC	: No
TOC	: Yes
OEM Ref.	: TXE1003849 / TXE1003849D / A0533218003 / TXE1003850 / TXE1003850D / 1003850
Other Ref.	: 238847 / 800128PTWF / TXE1003849D / TXE1003850 / HDC011225 / TXE1102845 / FRE130F
Year	: 2017-2023

12377-AXB P/A

Freightliner	Cascadia
Core Size	: 35 1/16" X 38 1/2" X 2 3/16"
No. of Rows	: 2
Inlet Pipe	: 2 1/2"
Outlet Pipe	: 2 1/2"
EOC	: No
TOC	: Yes
OEM Ref.	: TXE1003849 / TXE1003849D / A0533218003 / TXE1003850 / TXE1003850D / 1003850
Other Ref.	: 238848 / 800128PT / TXE1003849D / TXE1003850 / TXE1102845 / FRE130
Year	: 2017-2023



MD/HD COMPLETE TRUCK RADIATOR FOR FREIGHTLINER MODELS

12497 P/A

Freightliner Cascadia, Century, Columbia

Core Size	: 42" X 37 3/4" X 2 3/16"
No. of Rows	: 2
Inlet Pipe	: 2 1/2"
Outlet Pipe	: 2 1/2"
EOC	: No
TOC	: Yes
OEM Ref.	: 0524936001 / 0524936003 / 052660005 / 0526620003 / 0527749003 / 0529617003 / 0529617007 / 0529617009 / 1A0201190021 / 3A0573270009
Other Ref.	: 238611 / 800073PT / 613RA073 / 437249 / CTAVTU83143 / 20011723 / HDC010113PA / PH1695HB64 / FRE64
Year	: 2007-2014

12497-SB P/A

Freightliner Cascadia, Century, Columbia (with Frame)

Core Size	: 42" X 37 3/4" X 2 3/16"
No. of Rows	: 2
Inlet Pipe	: 2 1/2"
Outlet Pipe	: 2 1/2"
EOC	: No
TOC	: Yes
OEM Ref.	: 0524936001 / 0524936003 / 052660005 / 0526620003 / 0527749003 / 0529617003 / 0529617007 / 0529617009 / 1A0201190021 / 3A0573270009
Other Ref.	: 238684 / 800073PTWF / 613RA073 / 437249PF / CTAVTU83143 / HDC010113PAF / PH1695HB64 / FRE64F
Year	: 2007-2014

12498 P/A

Freightliner Cascadia

Core Size	: 35 3/4" X 37 3/4" X 2 3/16"
No. of Rows	: 2
Inlet Pipe	: 2 1/2"
Outlet Pipe	: 2 1/2"
EOC	: No
TOC	: Yes
OEM Ref.	: 0530990001 / 0530675000 / 0530675002 / 0530675004 / 0530675006 / 0530990000 / 0530990002 / 0531002000 / 0531040000
Other Ref.	: 238713 / 800103PT / 613RA9296 / HDC010872PA / 20011755 / 1A0210000000 / 3S0579670006 / FRE108 / RA9296
Year	: 2013-2014

12498-SB P/A

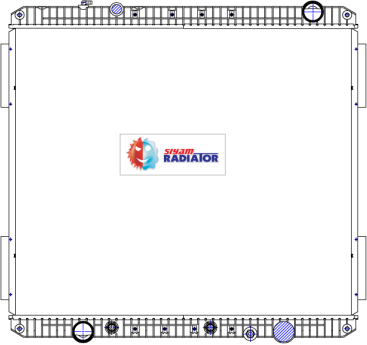
Freightliner Cascadia (with Frame)

Core Size	: 35 3/4" X 37 3/4" X 2 3/16"
No. of Rows	: 2
Inlet Pipe	: 2 1/2"
Outlet Pipe	: 2 1/2"
EOC	: No
TOC	: Yes
OEM Ref.	: 0530990001 / 0530675000 / 0530675002 / 0530675004 / 0530675006 / 0530990000 / 0530990002 / 0531002000 / 0531040000
Other Ref.	: 238793 / 800103PTWF / 613RA9296 / 0530675000 / 1A0210000000 / 3S0579670006 / RA9296 / FRE108FB
Year	: 2013-2014



MD/HD COMPLETE TRUCK RADIATOR FOR FREIGHTLINER MODELS

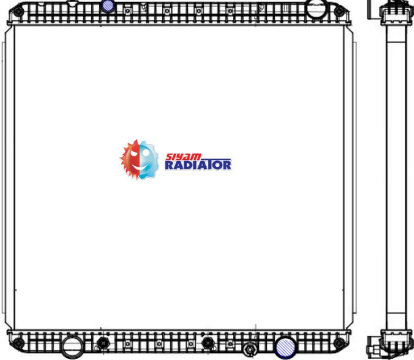
12499 P/A



Freightliner 114SD / Western Star 4700

Core Size	: 35 3/4" X 41 3/12" X 2 3/16"
No. of Rows	: 2
Inlet Pipe	: 2 1/2"
Outlet Pipe	: 2 1/2"
EOC	: No
TOC	: Yes
OEM Ref.	: 529618001 / 0529618001 / A0529618001 / 0526622001 / 0527750001 / 0527928001 / A0526622001 / A0527750001 / A0527928001 / 0525303001
Other Ref.	: 238692 / 800100PT / 613RA100 / HDC010857PA / 437444 / FRE94 / 613RA9187 / 3A0576200003
Year	: 2012-2019

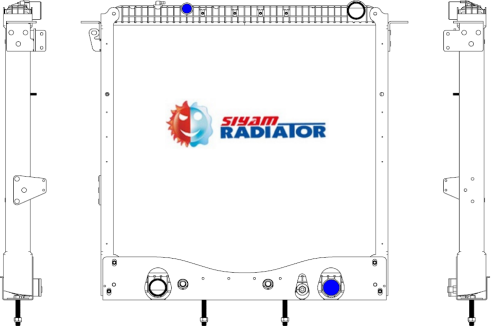
12500 P/A



Freightliner Cascadia

Core Size	: 35 11/16" X 37 3/4" X 2 3/16"
No. of Rows	: 2
Inlet Pipe	: 2 1/2"
Outlet Pipe	: 2 1/2"
EOC	: No
TOC	: Yes
OEM Ref.	: 0530675003 / 0530676001 / 3A0579670001 / 530675003 / A0530676003 / 3E0137640003 / 0530675001
Other Ref.	: 238647 / 800104PT / 437425 / 20011738 / 613RA1320 / HDC010831PA / FRE91 / 1A0210000001 / 3S0580800001
Year	: 2012-2019

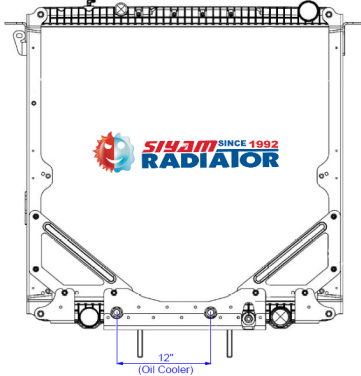
12500-SB P/A



Freightliner Cascadia (with Frame)

Core Size	: 35 11/16" X 37 3/4" X 2 3/16"
No. of Rows	: 2
Inlet Pipe	: 2 1/2"
Outlet Pipe	: 2 1/2"
EOC	: No
TOC	: Yes
OEM Ref.	: 0530675003 / 0530676001 / 3A0579670001 / 530675003 / A0530676003 / 3E0137640003 / 0530675001
Other Ref.	: 238794 / 800104PTWF / 437425PFB / 613RA1320 / HDC010831PAFB / FRE91FB / 1A0210000001 / 3S0580800001
Year	: 2012-2019

12500-SBF P/A



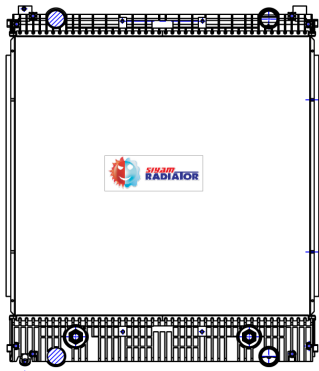
Freightliner Cascadia (with Frame)

Core Size	: 35 11/16" X 37 3/4" X 2 3/16"
No. of Rows	: 2
Inlet Pipe	: 2 1/2"
Outlet Pipe	: 2 1/2"
EOC	: No
TOC	: Yes
OEM Ref.	: 0530675003 / 0530676001 / 3A0579670001 / 530675003 / A0530676003 / 3E0137640003 / 0530675001
Other Ref.	: 238736 / HDC010831PAF / 437425PF / FRE91F
Year	: 2013-2014



MD/HD COMPLETE TRUCK RADIATOR FOR FREIGHTLINER MODELS

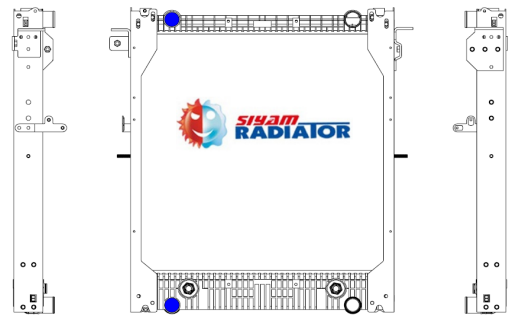
12503 P/A



Freightliner M2, 106 Business Class

Core Size	: 29 11/16" X 30 5/8" X 1 7/8"
No. of Rows	: 2
Inlet Pipe	: 2 1/2"
Outlet Pipe	: 2 1/2"
EOC	: No
TOC	: Yes
OEM Ref.	: 0525194001 / 0525194003 / 0525194007 / 0528483001 / A0525423001 / A0525423003 / A0525423005 / A0525423007 / A0528481000
Other Ref.	: 238615 / 900051PT / 611RA951 / 20011743 / HDC010664PA / CTAVTU8423 / BHTCU077001 / BHTN4142001 / 437238 / FRE79
Year	: 2008-2018

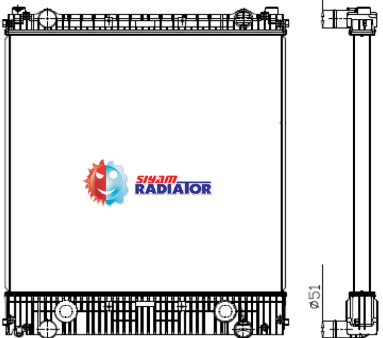
12503-SB P/A



Freightliner M2, 106 Business Class (with Frame)

Core Size	: 29 11/16" X 30 5/8" X 1 7/8"
No. of Rows	: 2
Inlet Pipe	: 2 1/2"
Outlet Pipe	: 2 1/2"
EOC	: No
TOC	: Yes
OEM Ref.	: 0525194001 / 0525194003 / 0525194007 / 0528483001 / A0525423001 / A0525423003 / A0525423005 / A0525423007 / A0528481000
Other Ref.	: 238909 / 900051PTWF / 611RA951 / HDC010664PAF / CTAVTU8423 / BHTCU077001 / BHTN4142001 / FRE79F
Year	: 2008-2018

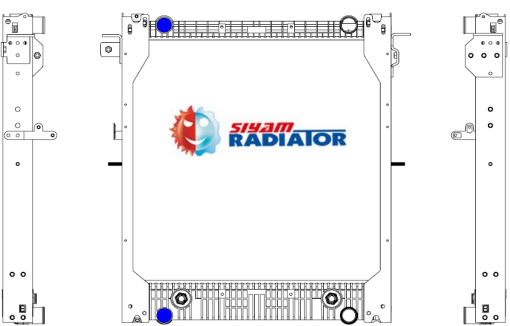
12534 P/A



Freightliner Freightliner M2 / 106 Business Class / Sterling Acterra

Core Size	: 34" X 30 5/8" X 1 7/8"
No. of Rows	: 2
Inlet Pipe	: 2 1/2"
Outlet Pipe	: 2 1/2"
EOC	: No
TOC	: Yes
OEM Ref.	: 0537140000 / 0525340007 / 0525340011 / A0525424001 / A0525424003 / A0525424011
Other Ref.	: 239087 / 900050PT / FRE66 / 437272 / 20011744 / HDC010098PA / BHTN3086001 / M1682001
Year	: 2008-2019

12534-SB P/A



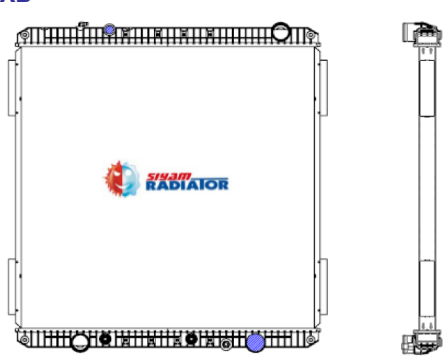
Freightliner Freightliner M2 / 106 Business Class / Sterling Acterra (with Frame)

Core Size	: 34" X 30 5/8" X 1 7/8"
No. of Rows	: 2
Inlet Pipe	: 2 1/2"
Outlet Pipe	: 2 1/2"
EOC	: No
TOC	: Yes
OEM Ref.	: 0537140000 / 0525340007 / 0525340011 / A0525424001 / A0525424003 / A0525424011
Other Ref.	: 238915 / 900050PTWF / FRE66F / HDC010098PAF / BHTN3086001 / M1682001
Year	: 2008-2019



MD/HD COMPLETE TRUCK RADIATOR FOR FREIGHTLINER MODELS

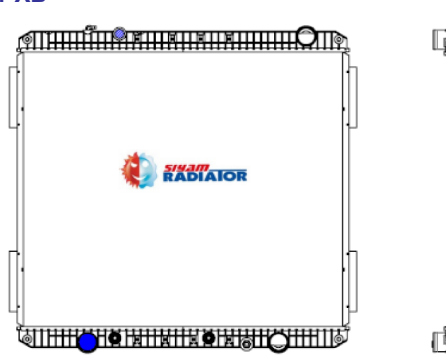
12560-XB P/A



Freightliner Coronado CC, CD / Western Star

Core Size	: 40 2/16" X 40 13/16" X 2 3/16"
No. of Rows	: 2
Inlet Pipe	: 2 1/2"
Outlet Pipe	: 2 1/2"
EOC	: No
TOC	: Yes
OEM Ref.	: 0528637003 / 0529621001 / 0530350001 / 0530350003 / 0530530003 / 1A0208160000 / 3A0573350003 / A0528636003 / A0529631001
Other Ref.	: 238635 / 800083PT / HDC010853PA / 437269P / TR8635 / 3S0583640003 / FRE86
Year	: 2008-2013

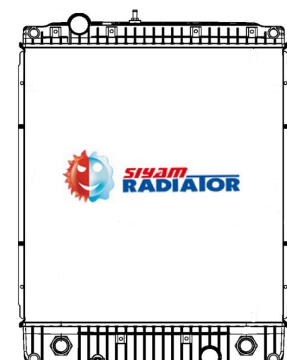
12561-XB P/A



Freightliner Coronado & 122SD / Western Star 4700

Core Size	: 35 12/16" X 40 13/16" X 2 3/16"
No. of Rows	: 2
Inlet Pipe	: 2 1/2"
Outlet Pipe	: 2 1/2"
EOC	: No
TOC	: Yes
OEM Ref.	: 0526617020 / 0526622004 / A0526617020 / A0529618000 / A0526622000 / A0527750002 / A0529618002 / 529618000 / 526622000 / 527750002
Other Ref.	: 238689 / 800089PT / HDC010749PA / 613RA9185 / FRE60 / MOD3A0580750002 / 613RA089
Year	: 2007-2017

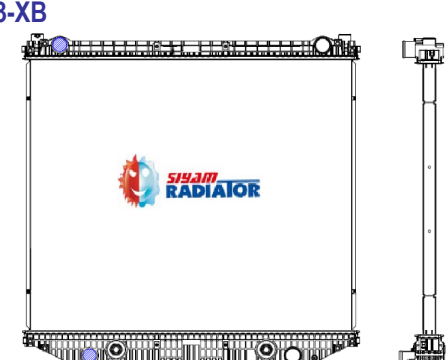
12562-XB P/A



Freightliner Step Vans

Core Size	: 27 7/16" X 24 5/16" X 2 3/16"
No. of Rows	: 2
Inlet Pipe	: 2 1/2"
Outlet Pipe	: 2 1/2"
EOC	: No
TOC	: Yes
OEM Ref.	: E0128090000 / MOD3S0120890000 / A0529760000 / 3S0584300000 / A0529022000
Other Ref.	: 238789 / 800115PT / HDC010968PA / 613RA9318 / FRE122 / LT9318 / 437523P / 20011737 / 3A0128090000 / 3S012809
Year	: 2010-2015

12563-XB P/A




Freightliner M2, Sterling / Western Star

Core Size	: 33 1/4" X 38 1/2" X 1 7/8"
No. of Rows	: 2
Inlet Pipe	: 2 1/2"
Outlet Pipe	: 2 1/2"
EOC	: No
TOC	: Yes
OEM Ref.	: 0525092004 / 0525092006 / 052592012 / 052592014 / 0527409004 / A0525093004 / A0525093006 / A0525093012 / A0525093014 / A052741004
Other Ref.	: 239005 / 900043PT / 437253 / 20011742 / HDC010104PA / S8106PA / BHTS4520001 / FRE48
Year	: 2008-2010



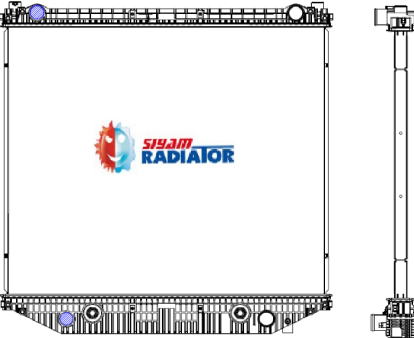
MD/HD COMPLETE TRUCK RADIATOR FOR FREIGHTLINER MODELS

12562-XB P/A



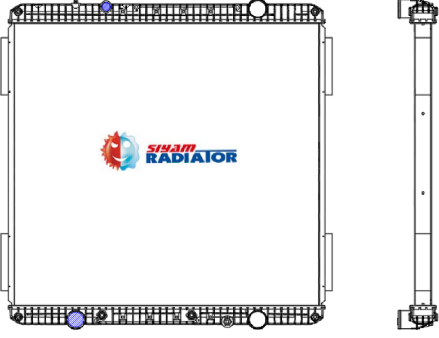
Freightliner	Step Vans
Core Size	: 27 7/16" X 24 5/16" X 2 3/16"
No. of Rows	: 2
Inlet Pipe	: 2 1/2"
Outlet Pipe	: 2 1/2"
EOC	: No
TOC	: Yes
OEM Ref.	: E0128090000 / MOD3S0120890000 / A0529760000 / 3S0584300000 / A0529022000
Other Ref.	: 238789 / 800115PT / HDC010968PA / 613RA9318 / FRE122 / LT9318 / 437523P / 20011737 / 3A0128090000 / 3S012809
Year	: 2010-2015

12563-XB P/A




Freightliner	M2, Sterling / Western Star
Core Size	: 33 1/4" X 38 1/2" X 1 7/8"
No. of Rows	: 2
Inlet Pipe	: 2 1/2"
Outlet Pipe	: 2 1/2"
EOC	: No
TOC	: Yes
OEM Ref.	: 0525092004 / 0525092006 / 052592012 / 052592014 / 0527409004 / A0525093004 / A0525093006 / A0525093012 / A0525093014 / A052741004
Other Ref.	: 239005 / 900043PT / 437253 / 20011742 / HDC010104PA / S8106PA / BHTS4520001 / FRE48
Year	: 2008-2010

12588-XB P/A



Freightliner	W110, Coronado
Core Size	: 40 2/16" X 40 13/16" X 2 3/16"
No. of Rows	: 2
Inlet Pipe	: 2 1/2"
Outlet Pipe	: 2 1/2"
EOC	: No
TOC	: Yes
OEM Ref.	: 0528637002 / 0529621002 / 0530350002 / A0528637002 / A0529621002 / A0530350002 / 528637002 / 529621002 / 530350002
Other Ref.	: 238691 / 800101PT / RA9188 / FRE104 / HDC010861PA / A0528636000 / MOD3S0580810000 / FR62OCN / 3S0580830002
Year	: 2008-2013

12597-XB P/A



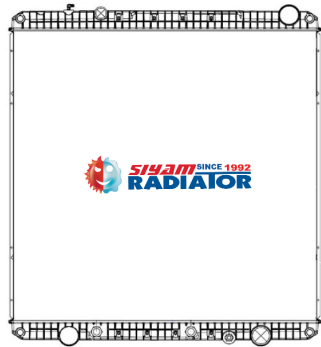
Freightliner	M2 100
Core Size	: 29 5/8" x 26 5/16" x 1 7/8"
No. of Rows	: 2
Inlet Pipe	: 2"
Outlet Pipe	: 2"
EOC	: No
TOC	: Yes
OEM Ref.	: BHT74663 / BHT74667 / BHTF2506
Other Ref.	: 239189 / HDC010149PA / FRE29 / 437240 / 800029PT / 613RA029 / 20011735
Year	: 2004-2008



MD/HD COMPLETE TRUCK RADIATOR FOR FREIGHTLINER MODELS

12644-XB

P/A

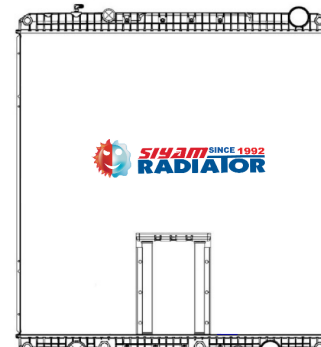


Freightliner Cascadia 114SD and 4700SB

Core Size	: 38 7/8" X 37 3/4" X 2 3/16"
No. of Rows	: 2
Inlet Pipe	: 2 1/2"
Outlet Pipe	: 2 1/2"
EOC	: No
TOC	: Yes
OEM Ref.	: 3S0580790001 / 527751007 / 900048ST / A0527751007 / 526619003 / 526619011 / 526619021 / 526619023
Other Ref.	: 239008 / HDC010100PA / 900048PT / 437255P / CTAVTM84023 / 2001-1733 / FRE72PA / 526619025 / 527751003 / FRE72
Year	: 2006-2021

12658-XB

P/A

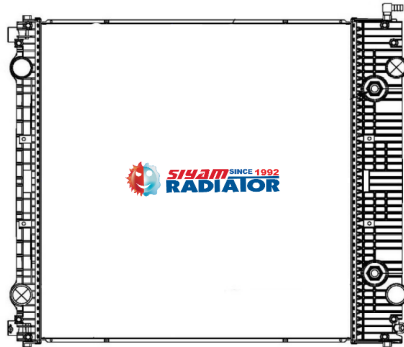


Freightliner Columbia With PTO, Sterling Lt 9500, 114SD

Core Size	: 38 7/8" X 38 1/2" X 2 3/16"
No. of Rows	: 2
Inlet Pipe	: 2 1/2"
Outlet Pipe	: 2 1/2"
EOC	: No
TOC	: Yes
OEM Ref.	: 0524935014 / 0526619012 / 0526619016 / 0526619026 / 0526619028 / 0527751012 / 0527751014 / 0527751016 / 0527751018 / 0529619012
Other Ref.	: 238652 / HDC010105PA / 900042PT / 437252P / CTAVTU83333 / FRE73 / 2001-1747 / 0529619014 / A0525300012
Year	: 2006-2021

12660-XB

P/A

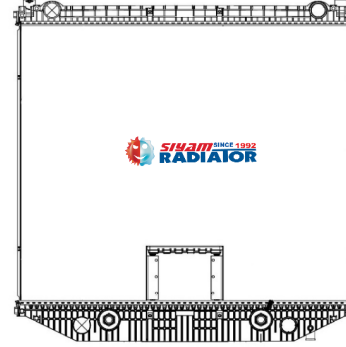


Freightliner M2 106, 108SD, 114SD

Core Size	: 39 3/8" X 30 5/8" X 2 3/16"
No. of Rows	: 2
Inlet Pipe	: 2 1/2"
Outlet Pipe	: 2 1/2"
EOC	: No
TOC	: Yes
OEM Ref.	: A05-30697-003 / A0530697003 / A05-28847-001 / A0528847001 / Y1962001 / BHTV9208001
Other Ref.	: 238790 / HDC010965PA / 437499P / 800130PT / V9208002 / W2363002 / FRE114 / 20011741
Year	: 2010-2018

12663-XB

P/A



Freightliner 114SD PTO, M2, Sterling A/L7500, Western Star 4700SB

Core Size	: 33 1/4" X 38 7/8" X 1 7/8"
No. of Rows	: 2
Inlet Pipe	: 2 1/2"
Outlet Pipe	: 2 1/2"
EOC	: No
TOC	: Yes
OEM Ref.	: A05274100006 / 527409006 / 0527410006 / A0527409006 / 0525092004 / 0528822004 / A0528821006
Other Ref.	: 239163 / HDC010103PA / 437254P / 900044 / FRE49 / 0527409006
Year	: 2008-2010



MD/HD COMPLETE TRUCK RADIATOR FOR FREIGHTLINER MODELS

12667-XB

P/A



Freightliner Sterling Acterra Q Model, M2, Mm Models, 106 Business

Core Size	: 31 5/8" X 25 1/8" X 1 7/8"
No. of Rows	: 2
Inlet Pipe	: 2 1/2"
Outlet Pipe	: 2 1/2"
EOC	: No
TOC	: No
OEM Ref.	: BHTB9423 / BHTB9688 / BHTD2350 / BHTD4448 / BHTD9442 / BHTE2717 / BHTE3268
Other Ref.	: 239199 / HDC010123PA / 800061PT / 437264P / 20011774 / CTVTU81413 / FRE40 / B9423 / B9688
Year	: 2005-2009

12668-XB

P/A

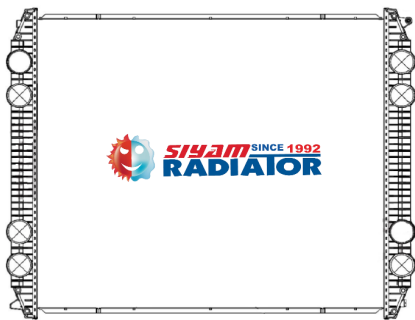


Freightliner M2 / MM, Sterling Acterra Q

Core Size	: 31 5/8" X 24 1/4" X 1 7/8"
No. of Rows	: 2
Inlet Pipe	: 2 1/2"
Outlet Pipe	: 2 1/2"
EOC	: No
TOC	: No
OEM Ref.	: BHT73803 / BHT74657 / BHT74660 / BHTB8344 / BHTB9686 / BHTC8344 / BHTD2348 / BHTD4383 / BHTD4454
Other Ref.	: 238610 / HDC010116PA / 20011752 / FRE43 / 37314P / 800069PT / CTVTU82163 / 73803 / 74657
Year	: 2005-2009

12699-XB

P/A



Freightliner Century Class & American Lafrance Fire Truck

Core Size	: 36" X 30 5/8" X 2 3/16"
No. of Rows	: 2
Inlet Pipe	: 2 1/2"
Outlet Pipe	: 2 1/2"
EOC	: No
TOC	: No
OEM Ref.	: B4761 / B4763 / BHTB4761 / BHTC2307 / BHTC7609 / BHTH9350 / BHTH9353 / C2307 / C2308 / C7609 / C7610 / H9350 / H9352 / H9353
Other Ref.	: 239014 / HDC010384PA / 437457P / FRE44
Year	: 1997-2006

12702-XB

P/A



Ford / Freightliner Sterling L9000 / LT9522 / L9513 / AT9500 / A9500

Core Size	: 37 3/8" x 27 1/16" x 1 7/8"
No. of Rows	: 2
Inlet Pipe	: 2 1/2"
Outlet Pipe	: 2 1/2"
EOC	: No
TOC	: No
OEM Ref.	: 1003299 / 1003354 / 1003519 / 1003540 / 1030098 / 1030128 / 1030227 / 1040003 / 1040111 / 1040142 / 1050052 / 1101897 / 1101967 / 1102059
Other Ref.	: 238666 / HDC010018PA / 900014PT / FOR14 / 437160P / 20011518 / FLX000131 / SRK7160
Year	: 1994-2002



MD/HD COMPLETE TRUCK RADIATOR FOR FREIGHTLINER MODELS

12703-XB

P/A



Freightliner FL106 Series / Sterling Acterra 34"

Core Size	: 34" x 24 11/16" x 1 7/8"
No. of Rows	: 2
Inlet Pipe	: 2"
Outlet Pipe	: 2 1/4"
EOC	: No
TOC	: No
OEM Ref.	: 0516238000 / 051675000 / 0516756000 / 0519756000 / 1AH00074S / 2A1100029 / 2AH00061 / 310061T / 3AH00074,3AH00105SP / 516238000
Other Ref.	: 238671 / HDC010044PA / FRE06 / 20011706 / 437152 / 800006 / FLX000210
Year	: 1993-2004

12704-XB

P/A



Freightliner Motorhome

Core Size	: 35" x 25 1/8" x 2 3/16"
No. of Rows	: 2
Inlet Pipe	: 2"
Outlet Pipe	: 2"
EOC	: No
TOC	: No
OEM Ref.	: VAB1003451 / VAB1040071 / VAB1040078 / VAB1102073 / 1003451 / 1040071 / 1040078 / 1102073
Other Ref.	: 239170 / HDC010325PA / FRE09 / 437400P / 310009PT
Year	: 2001-2005

12705-XB

P/A



Freightliner B2, MT45, MB55 FEDEX, UPS Stepvan 27-1/2"

Core Size	: 27 1/2" x 25 1/8" x 2 3/16"
No. of Rows	: 2
Inlet Pipe	: 2"
Outlet Pipe	: 2"
EOC	: No
TOC	: Yes
OEM Ref.	: 1003669 / 1003683A / 1050189 / 1102254 / 1102416 / VAB1003669 / VAB1003683 / VAB1050131 / VAB1050166 /
Other Ref.	: 239387 / HDC010151PA / FRE27 / 0437451P / 800027PT / 20011720 / 613RA027
Year	: 2002-2015

12706-XB

P/A




Freightliner M2 106 Business Class

Core Size	: 31 5/8" x 26 5/16" x 2 3/16"
No. of Rows	: 2
Inlet Pipe	: 2"
Outlet Pipe	: 2"
EOC	: No
TOC	: No
OEM Ref.	: B9696 / B9705 / BHT9454 / BHTB9696 / BHTB9705 / BHTD9454 / D9454 / BHT74683
Other Ref.	: 239077 / HDC010132PA / FRE41 / 437261 / 800053PT / 613RA053 / 20011770
Year	: 2006-2010



MD/HD COMPLETE TRUCK RADIATOR FOR FREIGHTLINER MODELS

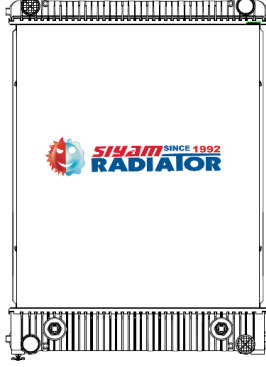
12707-XB P/A



Freightliner M2 106 Business Class / Sterling Acterra

Core Size	: 29 5/8" x 24 5/16" x 2 3/16"
No. of Rows	: 2
Inlet Pipe	: 2"
Outlet Pipe	: 2"
EOC	: No
TOC	: Yes
OEM Ref.	: 74671 / 74675 / 74676 / 74676100 / B8066 / B8088 / BHT74671 / BHT74675 / BHTB8066 / BHTB8088 / BHTD4725
Other Ref.	: 239000 / HDC010122PA / FRE62 / 437265P / 800062PT / 613RA062 / 20011751
Year	: 2003-2009

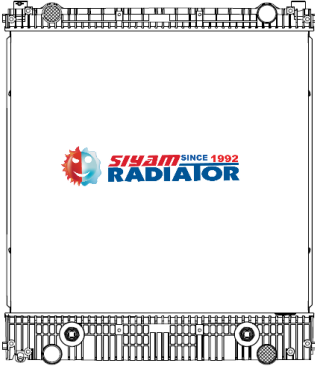
12708-XB P/A



Freightliner M2 106 Business Class / Sterling Acterra

Core Size	: 34" x 26 5/16" x 2 3/16"
No. of Rows	: 2
Inlet Pipe	: 2"
Outlet Pipe	: 2"
EOC	: No
TOC	: Yes
OEM Ref.	: BHTD5970 / BHTE2717 / BHTE2724 / BHTE3268 / BHTE4690 / BHTE8249 / BHTE8272 / BHTE8278
Other Ref.	: 239001 / HDC010121PA / FRE63 / 437266 / 800063PT / 613RA063 / 20011526
Year	: 2003-2009

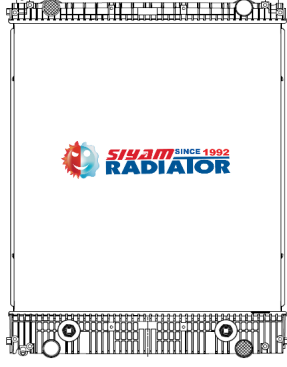
12709-XB P/A



Freightliner M2 106 Business Class / Sterling Acterra

Core Size	: 29 5/8" x 30 5/8" x 2 3/16"
No. of Rows	: 2
Inlet Pipe	: 2"
Outlet Pipe	: 2"
EOC	: No
TOC	: Yes
OEM Ref.	: A0525423006 / BHTR6064001 / 0525194000 / 0525194002 / 0525194006 / A0525423000 / A0525423002 / A0525423006
Other Ref.	: 238616 / FRE82 / HDC010737PA / 900052 / 20011749
Year	: 2008-2013

12710-XB P/A



Freightliner M2 106 Business Class / Sterling Acterra

Core Size	: 34" x 30 5/8" x 2 3/16"
No. of Rows	: 2
Inlet Pipe	: 2"
Outlet Pipe	: 2"
EOC	: No
TOC	: Yes
OEM Ref.	: 0525340010 / 0525340014 / A0525424002 / A0525424006 / BHTR6072001 / A0525424000 / A0525424004 / A0525424008
Other Ref.	: 238614 / HDC010738PA / 900053 / 20011748
Year	: 2008-2013



MD/HD COMPLETE TRUCK RADIATOR FOR FREIGHTLINER MODELS

12711-XB

P/A

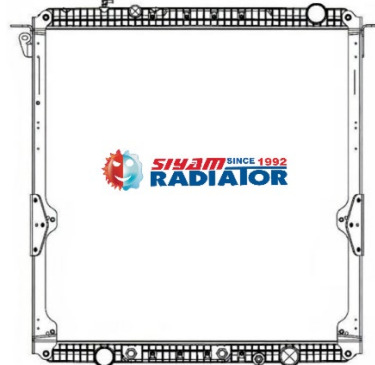


Freightliner Coronado Series / Western Star 4700 with DD13

Core Size	: 42 1/8" x 41 5/8" x 2 3/16"
No. of Rows	: 2
Inlet Pipe	: 2 1/2"
Outlet Pipe	: 2 1/2"
EOC	: No
TOC	: Yes
OEM Ref.	: 0524939003 / 0527748003 / 0529616003 / A0525304003 / 524939003 / 527748003 / 529616003 / 0525304003
Other Ref.	: 238690 / HDC010859PA / FRE96 / 20011754 / 437446P
Year	: 2013

12711-SB

P/A



Freightliner Coronado Series / Western Star 4700 with DD13 (with frame)

Core Size	: 42 1/8" x 41 5/8" x 2 3/16"
No. of Rows	: 2
Inlet Pipe	: 2 1/2"
Outlet Pipe	: 2 1/2"
EOC	: No
TOC	: Yes
OEM Ref.	: 0524939003 / 0527748003 / 0529616003 / A0525304003 / 524939003 / 527748003 / 529616003 / 0525304003
Other Ref.	: 238747 / HDC010859PAF / 437446PF / FRE96F
Year	: 2013

12712-XB

P/A



Freightliner Coronado Series

Core Size	: 45 5/8" x 41 5/8" x 2 3/16"
No. of Rows	: 2
Inlet Pipe	: 2 1/2"
Outlet Pipe	: 2 1/2"
EOC	: No
TOC	: Yes
OEM Ref.	: 0524940003 / 0526623011 / 0527746003 / 0528644003 / 0529613003 / 0529614003 / 3S0580760003 / A0525305003
Other Ref.	: 238723 / HDC010884PA / FRE102 / 437448P / 20011739
Year	: 2010-2014

12728-XB

P/A



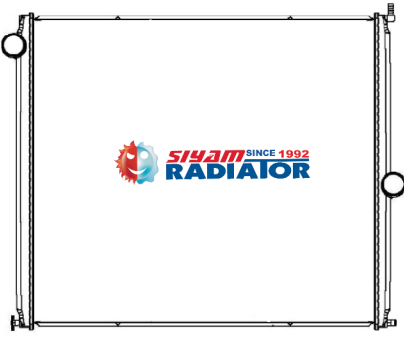
Freightliner FL50, 60, 70, 80, 90 with 3126 engine May fit other engines as well

Core Size	: 28 5/8" x 24 11/16" x 1 7/8"
No. of Rows	: 2
Inlet Pipe	: 2"
Outlet Pipe	: 2 1/4"
EOC	: No
TOC	: No
OEM Ref.	: 11C7563ST / 1AH00068 / 1AH00068S / 2AH00032 / 2AH00067 / 2AH00068 / 2AH00088 / 2AH0067 / 2AH0068
Other Ref.	: 239088 / HDC010015PA / 800005PT / CTVTU80243 / 20011705 / FRE05
Year	: 1995-2004



MD/HD COMPLETE TRUCK RADIATOR FOR FREIGHTLINER MODELS

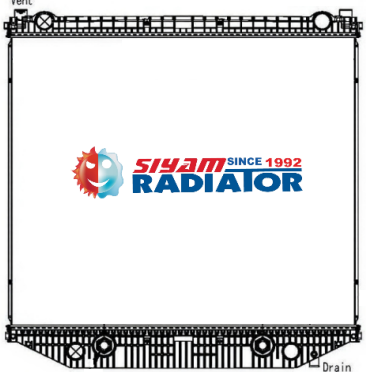
12733-XB PIA



Ford / Freightliner Sterling AT9500, 9522, 8215, ST9500

Core Size	: 37 3/8" x 33 3/4" x 1 7/8"
No. of Rows	: 2
Inlet Pipe	: 2 1/2"
Outlet Pipe	: 2 1/2"
EOC	: No
TOC	: No
OEM Ref.	: 1003298 / 1003543 / 1003543AS / 1040001 / 1050056 / 1101896, 1102224 / 1220262 / 1220405 / F6HT8009HC / F6HT8009HE / F6HZ8005PA
Other Ref.	: 238699 / HDC010033PA / FOR23 / 437207P / 20014114 / 900023PT / CTVTU80973 / FLX000143
Year	: 1999-2004

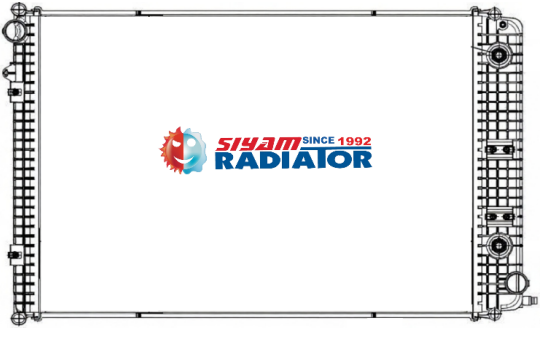
12747-XB PIA



Freightliner 114SD L9 / 114SD RSO / Western Star 4700SB L9, 4700SB/SF

Core Size	: 33 1/4" X 38 7/8" X 1 7/8"
No. of Rows	: 2
Inlet Pipe	: 2"
Outlet Pipe	: 2"
EOC	: No
TOC	: Yes
OEM Ref.	: BHTEA753001 / A0530702001 / A05-30702-001 / 0530702001 / 05-30702-001
Other Ref.	: 238773 / HDC010950PA / FRE111 / 0437253P / 900043 / 20011742
Year	: 2021-2022

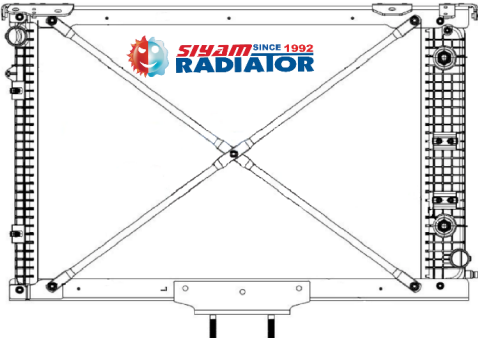
12754-XB PIA



Freightliner 108SD L9/DD8 (with Frame)

Core Size	: 39 15/16" x 28" x 2 3/16"
No. of Rows	: 2
Inlet Pipe	: 2"
Outlet Pipe	: 2"
EOC	: No
TOC	: Yes
OEM Ref.	: 1004020 / TXE1004020B
Other Ref.	: 238929 / HDC011287PA
Year	: 2020-2023

12754-SB PIA



Freightliner 108SD L9/DD8 (with Frame)

Core Size	: 39 15/16" x 28" x 2 3/16"
No. of Rows	: 2
Inlet Pipe	: 2"
Outlet Pipe	: 2"
EOC	: No
TOC	: Yes
OEM Ref.	: 1004020 / TXE1004020B
Other Ref.	: 238930 / HDC011287PAF / FRE150F
Year	: 2020-2023



MD/HD COMPLETE TRUCK RADIATOR FOR FREIGHTLINER MODELS

12835 P/A

Ford / Freightliner L9000 Series / Motorhome rear mount

Core Size	: 37 3/8" x 27 7/8" x 1 7/8"
No. of Rows	: 2
Inlet Pipe	: 2 1/2"
Outlet Pipe	: 2 1/2"
EOC	: No
TOC	: No
OEM Ref.	: 1030080 / 1030090 / 1030112 / 1033260 / 1040089 / 99080201 / F4HT8005F / F4HT8005G / F4HT8009AB
Other Ref.	: 238664 / 437158P / HDC010024PA / 900010PT / 2001-1519 / FOR10
Year	: 1994-2007

12836 P/A

Ford / Freightliner Sterling LTL9000, AT9500

Core Size	: 37 3/8" x 33 3/4" x 1 7/8"
No. of Rows	: 2
Inlet Pipe	: 2 1/2"
Outlet Pipe	: 2 1/2"
EOC	: No
TOC	: No
OEM Ref.	: F4HT8009C / F4HZ8005H / F4HT8009FB / F4HT8009FC
Other Ref.	: 238759 / 437198P / HDC010055PA / 900015PT / 2001-1515 / FOR15
Year	: 1997-2000

12837 P/A

Ford / Freightliner Sterling L9511, LT9511, L9513

Core Size	: 37 3/8" x 27 1/16" x 1 7/8"
No. of Rows	: 2
Inlet Pipe	: 2 1/2"
Outlet Pipe	: 2 1/2"
EOC	: No
TOC	: No
OEM Ref.	: 1040018 / 1040019 / 1102044 / 11040143 / 9811020 / E7HZ8005VA / F1HT8009TA / F7HZ8005XA / F8HT8009UD
Other Ref.	: 238677 / 437209P / HDC010049PA / 900025PT / 2001-4001
Year	: 1999-2004

12839 P/A

Freightliner Columbia 120 / Century

Core Size	: 41 13/16" x 30 5/8" x 2 3/16"
No. of Rows	: 2
Inlet Pipe	: 2 1/2"
Outlet Pipe	: 2 1/2"
EOC	: No
TOC	: No
OEM Ref.	: 93060 / 98476 / 98478 / A0520247003 / BHT93060 / BHT98476 / BHT98478 / BHTA9450 / BHTE3831 / BHTU3932001 / E3831 / E3832
Other Ref.	: 239137 / HDC010077PA / 20011716 / 800019PT / 437360 / FRE19
Year	: 2000-2004



MD/HD COMPLETE TRUCK RADIATOR FOR FREIGHTLINER MODELS

12842

P/A

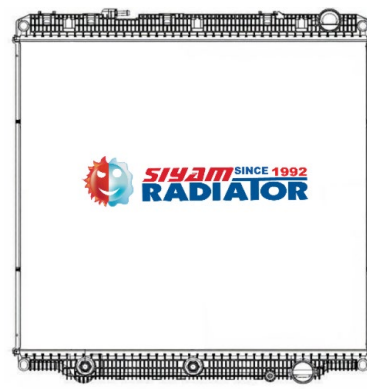


Freightliner M2-106

Core Size	: 31 15/16" x 28 1/16" x 2 1/16"
No. of Rows	: 2
Inlet Pipe	: 2"
Outlet Pipe	: 2"
EOC	: No
TOC	: Yes
OEM Ref.	: 1004018 / TXE1004018-A
Other Ref.	: 238871 / HDC011276PA / 800134 / FRE141 / 437561P
Year	: 2018-2022

12844-AXB

P/A




Freightliner Cascadia

Core Size	: 35 11/16" X 37 3/4" X 2 3/16"
No. of Rows	: 2
Inlet Pipe	: 2 1/2"
Outlet Pipe	: 2 1/2"
EOC	: No
TOC	: Yes
OEM Ref.	: 1102846 / 1102846C
Other Ref.	: 238850 / HDC011226PA / LT9644 / FRE134
Year	: 2017-2022



MD/HD COMPLETE TRUCK RADIATOR FOR HINO MODELS

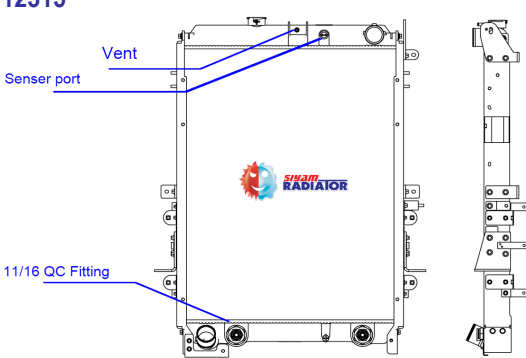
12315-XB P/A



Hino 258, 268, 338

Core Size	: 32 1/2" X 24 3/4" X 1 5/8"
No. of Rows	: 2
Inlet Pipe	: 2 3/16"
Outlet Pipe	: 2 3/16"
EOC	: No
TOC	: Yes
OEM Ref.	: 16400E0E30 / 16400E0E31 / 16400E0810 / S16A0E1720
Other Ref.	: 590029PT / S16A0E1720 / 2230004340 / HDC011223PA / HIN15
Year	: 2011-2015


12315 P/A



Hino 258, 268, 338 (with Frame)

Core Size	: 32 1/2" X 24 3/4" X 1 5/8"
No. of Rows	: 2
Inlet Pipe	: 2 3/16"
Outlet Pipe	: 2 3/16"
EOC	: No
TOC	: Yes
OEM Ref.	: 16400E0E30 / 16400E0E31 / 16400E0810 / S16A0E1720
Other Ref.	: 238844 / 590029PTWF / S16A0E1720 / 2230004340 / HDC011223PAF / HIN15F
Year	: 2011-2015

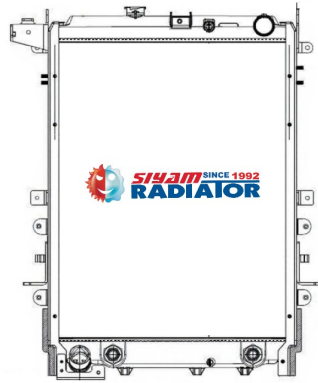
12764-XB P/A



Hino 338 Series

Core Size	: 32 1/4" x 25" x 1 7/8"
No. of Rows	: 2
Inlet Pipe	: 2 5/16"
Outlet Pipe	: 2 5/16"
EOC	: No
TOC	: Yes
OEM Ref.	: 16400E0E62
Other Ref.	: HDC011285PA / 590036PT / HIN16
Year	: 2016-2022

12764-SB P/A



Hino 338 Series (with Frame)

Core Size	: 32 1/4" x 25" x 1 7/8"
No. of Rows	: 2
Inlet Pipe	: 2 5/16"
Outlet Pipe	: 2 5/16"
EOC	: No
TOC	: Yes
OEM Ref.	: 16400E0E62
Other Ref.	: 238931 / HDC011285PAF / 590036PTWF / HIN16FB
Year	: 2016-2022



MD/HD COMPLETE TRUCK RADIATOR FOR INTERNATIONAL MODELS

12253 P/A

International 8600, 8600i, 9100, 9100i, 9200, 9200i, 9400, 9400i, 9900i series

Core Size	: 33 7/16" X 26 5/16" X 2 3/16"
No. of Rows	: 2
Inlet Pipe	: 2 1/2"
Outlet Pipe	: 2 1/2"
EOC	: No
TOC	: No
OEM Ref.	: 2505699C91 / 2508454C91 / 2508454C92 / 2585976C91 / 2585976C92 / 3E00115430000 / 3E0099670000
Other Ref.	: 238601 / 640015PT / NAV15 / 20013527 / 437403 / CTVTU80903 / HDC010057PA / AFA000761 / HD208005 / 2505699C1
Year	: 2003-2007

12254 P/A

International 5500i, 5600i, 5900i / 9800 series

Core Size	: 46 3/8 " X 28 1/4" X 2 3/16"
No. of Rows	: 2
Inlet Pipe	: 2 1/2"
Outlet Pipe	: 2 1/2"
EOC	: No
TOC	: No
OEM Ref.	: 1518653C91 / 1518654C91 / 1518655C91 / 1699168C91 / 2504497C91 / 3501194C91 / 3548748C91
Other Ref.	: 239473 / 640009PT / 437344 / 20013505 / CTVTU82403 / HDC010051PA / REA4210188 / 2400067 / HD208012 / NAV09
Year	: 2000-2004

12355 P/A

International 2000, 2500, 2600, 5000, 5500, 5500i, 5600, 5600i, 5900, 5900i, 7300 - 7700, 8200, 8300, 9100, 9200, 9300, 9400, 9900

Core Size	: 40 15/16" X 28 1/4" X 2 3/16"
No. of Rows	: 2
Inlet Pipe	: 2 1/2"
Outlet Pipe	: 2 1/2"
EOC	: No
TOC	: No
OEM Ref.	: 1616363C91 / 166413C93 / 1693614C91 / 1693644C91 / 1693644C92 / 1698743C91 / 1698743C92 / 1698743C93 / 1698743C95 / 1698845C91
Other Ref.	: 615RA003 / 239350 / 640003PT / NAV03 / 20013503 / 437121 / CTVTU59673 / HDC010001PA / OEM4210187 / R2585978
Year	: 1994-2003

12357 P/A

International Navistar 5000, 5500, 5500i, 5600, 5600i, 5900, 5900i, 8000, 8100, 9200, 9200i, 9400 series

Core Size	: 35 5/8 " X 28 1/4" X 2 3/16"
No. of Rows	: 2
Inlet Pipe	: 2 1/2"
Outlet Pipe	: 2 1/2"
EOC	: No
TOC	: No
OEM Ref.	: 1697145C91 / 2022218C91 / 166413C93 / 2020304C91
Other Ref.	: 239140 / 640005PT / 615RA005 / CVTU81073 / 20013502 / 437122 / HDC010008PA / RC2368 / REA4210181 / NAV05
Year	: 1994-2003



MD/HD COMPLETE TRUCK RADIATOR FOR INTERNATIONAL MODELS

12325 P/A

International	5900i, 8600, 9100, 9100i, 9200, 9200i, 9400, 9400i, 9900ix, Prostar
Core Size	: 40 3/16" X 25 1/2" X 2 3/16"
No. of Rows	: 2
Inlet Pipe	: 2 1/2"
Outlet Pipe	: 2 1/2"
EOC	: No
TOC	: No
OEM Ref.	: 2591554C91 / 2591558C91 / 2591559C91 / 3E0113500000 / 50341794601 / 58011201669 / 5801201667
Other Ref.	: 238602 / 640020PT / 20013533 / 437307 / HDC010237PA / LRHD802556 / CVTM81433 / 1S180197 / HD208001 / NAV19
Year	: 2007-2009

12397 P/A

International	3000-4600 / Ford F650-F700
Core Size	: 20 1/2" X 25 2/16" X 2 3/16"
No. of Rows	: 2
Inlet Pipe	: 2 1/4"
Outlet Pipe	: 2 1/4"
EOC	: No
TOC	: Yes, Grill side
OEM Ref.	: 2504903C91 / 2504903C92 / 2504903C93 / 2505509C93 / 25686048C92
Other Ref.	: 238678 / 640012PT / 437389 / 20013531 / SRM6125AT / CVTX61252 / HDC010243PA / 615RA008 / BTC7365 / NAV12
Year	: 2002-2007

12397-M P/A

International	3000-4600 / Ford F650-F700
Core Size	: 20 1/2" X 25 2/16" X 2 3/16"
No. of Rows	: 2
Inlet Pipe	: 2 1/4"
Outlet Pipe	: 2 1/4"
EOC	: No
TOC	: No
OEM Ref.	: 2504905C91 / 2504905C92 / 2504905C93 / 2504907C91 / 35010201 / 3E009551000
Other Ref.	: 238679 / HDC010247PA / 20013532 / NAV08 / 437365P / 640008PT / CTVTX61252 / 2504907C92 / 2505511C92
Year	: 2002-2007

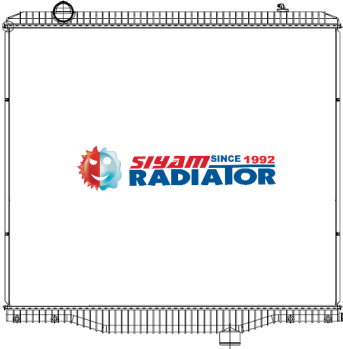
12401 P/A

International	Prostar, Transtar
Core Size	: 35 5/16" X 38 2/16" X 2 3/16"
No. of Rows	: 2
Inlet Pipe	: 2 1/2"
Outlet Pipe	: 2 1/2"
EOC	: No
TOC	: Yes - Grill side
OEM Ref.	: 259850C91 / 2594850C91 / 2594850-C91
Other Ref.	: 238788 / 640081PT / HDC010970PA / 2594850C91 / 20013545 / 1N180229 / 437479 / 3625273F96 / 3E0117490000 / NAV47
Year	: 2008-2010



MD/HD COMPLETE TRUCK RADIATOR FOR INTERNATIONAL MODELS

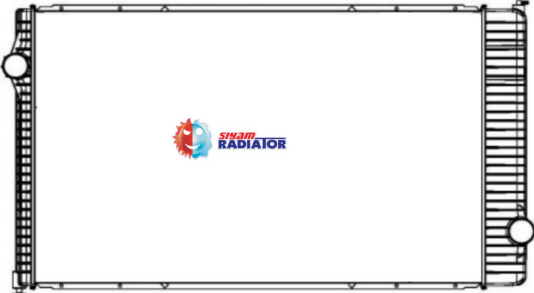
12507 P/A



International Navistar Prostar & Transtar

Core Size	: 35 2/9" X 40 7/16" X 2 3/16"
No. of Rows	: 2
Inlet Pipe	: 2 1/2"
Outlet Pipe	: 2 1/2"
EOC	: No
TOC	: Yes - Grill side
OEM Ref.	: 2604295C93 / 3697461F97 / 1040305 / 1003714 / 3839638F91 / 3839638F92 / 3839638F93 / 3839638F94 / 3839638F95 / 3839638F96 / 2604295C91
Other Ref.	: 238626 / HDC010823PA / 640102 / 437477P / 615RA102 / 20013547 / NAV37
Year	: 2010-2017

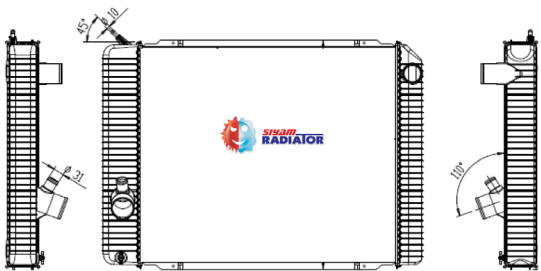
12508 P/A



International Navistar Workstar 7000 series

Core Size	: 44 1/4" X 27 5/8" X 2 3/16"
No. of Rows	: 2
Inlet Pipe	: 2 1/2"
Outlet Pipe	: 2 1/2"
EOC	: No
TOC	: No
OEM Ref.	: 2591827C91 / 2591827J91 / 5A0707310000 / 3S0113970000 / 2591761C92 / 1S180186
Other Ref.	: 238698 / 640026PT / IN8201 / CTVTU82013 / HDC010419PA / 437285 / 1S180186 / 1N180135 / 556426A / NAV24
Year	: 2008-2017

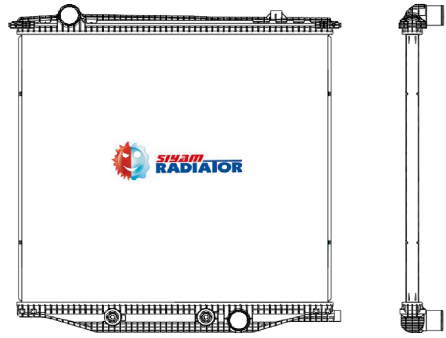
12535 P/A



International 3800, 4100, 4200, 4300, 4400 / BE and CE Bus / Ford F650, F750

Core Size	: 28 4/7" X 24 3/4" X 2 3/16"
No. of Rows	: 2
Inlet Pipe	: 2 1/4"
Outlet Pipe	: 2 1/2"
EOC	: No
TOC	: Yes
OEM Ref.	: 2593282C91 / 2593294C91/ 2593295C91/ 2593295C92/ 3E115120000
Other Ref.	: 238639 / 640069PT / 20013534 / HDC010225PA / 437280P / NAV30
Year	: 2008-2012

12557-XB P/A



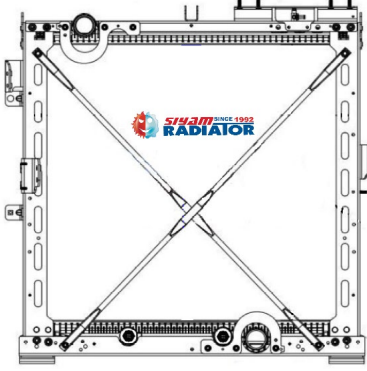
International Navistar LT625 15.0L

Core Size	: 34 1/18" X 37 3/4" X 1 1/2"
No. of Rows	: 2
Inlet Pipe	: 2 1/2"
Outlet Pipe	: 2 1/2"
EOC	: No
TOC	: Yes
OEM Ref.	: 2516107C91
Other Ref.	: 640125PT / 238902 / HDC011265PA / NAV90
Year	: 2017 & newer



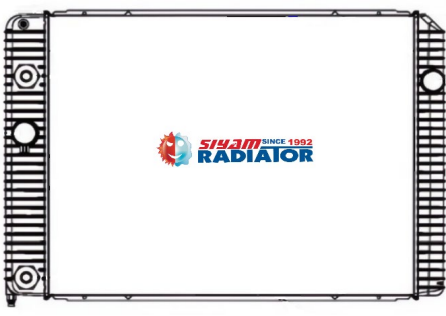
MD/HD COMPLETE TRUCK RADIATOR FOR INTERNATIONAL MODELS

12557-SB P/A



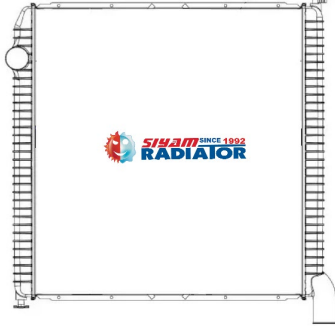
International	Navistar LT625 15.0L (with Frame)
Core Size	: 34 1/18" X 37 3/4" X 1 1/2"
No. of Rows	: 2
Inlet Pipe	: 2 1/2"
Outlet Pipe	: 2 1/2"
EOC	: No
TOC	: Yes
OEM Ref.	: 2516107C91
Other Ref.	: 238903 / 640125PTWF / HDC011265PAF / NAV90F
Year	: 2017 & newer

12647-XB P/A



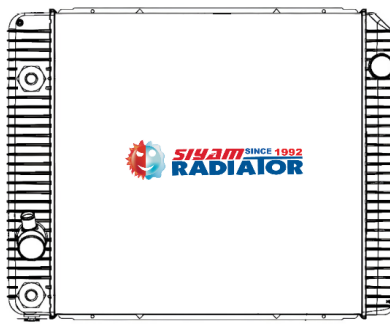
International	Navistar Durastar, Workstar, Navistar MV
Core Size	: 36 5/8" X 28 3/4" X 2 3/16"
No. of Rows	: 2
Inlet Pipe	: 2 1/4"
Outlet Pipe	: 2 1/2"
EOC	: No
TOC	: Yes
OEM Ref.	: 2601809C91 / 2601809C92 / 3E0124870000
Other Ref.	: 238764 / HDC010954PA / 3E12489 / NAV44 / 437473P / 640117PT / 615RA9333 / 20013538
Year	: 2011-2019

12656-XB P/A



International	5000 Paystar Series
Core Size	: 29 3/8" X 32 1/8" X 2 3/16"
No. of Rows	: 2
Inlet Pipe	: 2 1/2"
Outlet Pipe	: 2 1/2"
EOC	: No
TOC	: No
OEM Ref.	: 2590843C91 / 2586052C93 / 2509095C92 / 2509895C1 / 2509895C2
Other Ref.	: 238675 / HDC010240PA / 437306 / 20013510 / 640016PT / CTVTM82363 / NAV18 / 3E0100670000 / 52080067
Year	: 2004-2009

12657-XB P/A



International	Durastar 4000 series
Core Size	: 28 1/2" X 28 7/8" X 2 3/16"
No. of Rows	: 2
Inlet Pipe	: 2 1/2"
Outlet Pipe	: 2 1/2"
EOC	: No
TOC	: Yes
OEM Ref.	: 2601807C92 / 3E0124840000 / 3S012484 / 3S013471
Other Ref.	: 238704 / HDC010888PA / 437237P / 1S18022 / 640098 / NAV56 / 1S180256 / 615RA098 / 20013537
Year	: 2011-2014



MD/HD COMPLETE TRUCK RADIATOR FOR INTERNATIONAL MODELS

12659-XB P/A

International	Navistar LT625
Core Size	: 34 1/16" X 37 3/4" X 1 1/2"
No. of Rows	: 2
Inlet Pipe	: 2 1/2"
Outlet Pipe	: 2 1/2"
EOC	: No
TOC	: No
OEM Ref.	: 2516108C91
Other Ref.	: HDC011266PA / NAV91
Year	: 2017 & newer

12659-SB P/A

International	Navistar LT625 (with Frame)
Core Size	: 34 1/16" X 37 3/4" X 1 1/2"
No. of Rows	: 2
Inlet Pipe	: 2 1/2"
Outlet Pipe	: 2 1/2"
EOC	: No
TOC	: No
OEM Ref.	: 2516108C91
Other Ref.	: HDC011266PAF / NAV91F
Year	: 2017 & newer

12662-XB P/A

International	Durastar 4400
Core Size	: 28 1/2" X 28 3/4" X 2 3/16"
No. of Rows	: 2
Inlet Pipe	: 2 1/4"
Outlet Pipe	: 2 1/2"
EOC	: No
TOC	: Yes - Grill side
OEM Ref.	: 1S180144 / 2593301C91 / 2593302C91 / 2593302C92 / 3E011513000
Other Ref.	: 238725 / HDC010881PA / 640100 / NAV33 / 20013551 / 3E011513000 / 615RA100
Year	: 2008-2013

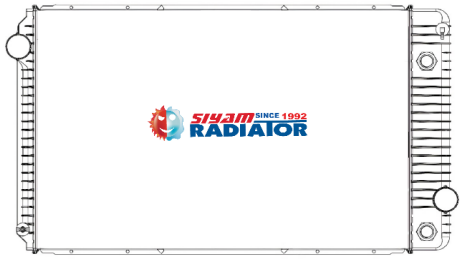
12665-XB P/A

International	Navistar Workstar 7000 series
Core Size	: 44 18" X 27 1/2" X 2 3/16"
No. of Rows	: 2
Inlet Pipe	: 2 1/2"
Outlet Pipe	: 2 1/2"
EOC	: No
TOC	: Yes
OEM Ref.	: 3E0113960000 / 5A0707320000 / 2604117C92 / 2591828C92
Other Ref.	: 238656 / HDC010837PA / NAV28 / 615RA099 / 640099 / 20013544
Year	: 2008-2010



MD/HD COMPLETE TRUCK RADIATOR FOR INTERNATIONAL MODELS

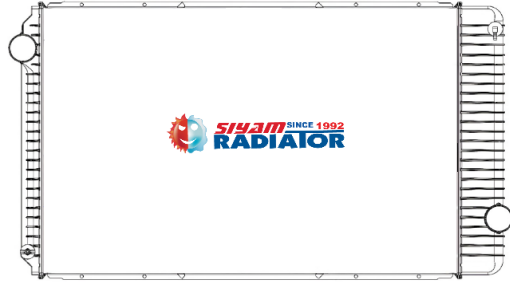
12666-XB P/A



International Navistar 7300-7700 series

Core Size	: 38 3/16" X 25 1/8" X 2 3/16"
No. of Rows	: 2
Inlet Pipe	: 2 1/2"
Outlet Pipe	: 2 1/2"
EOC	: No
TOC	: Yes
OEM Ref.	: 2586043C91 / 2586043C92 / 2586043C93 / 258604C91 / 1S180052 / 1S180075
Other Ref.	: 238697 / HDC010242PA / 640014PT / 61S180084 / CTAVTM81423 / NAV14 / 20013508 / 437412 / 2507374C91 / 3S10464 / 615RA014
Year	: 2002-2007


12666-XBM P/A



International 7300 / 7400 / 7600 series

Core Size	: 38 3/16" X 25 1/8" X 2 3/16"
No. of Rows	: 2
Inlet Pipe	: 2 1/2"
Outlet Pipe	: 2 1/2"
EOC	: No
TOC	: No
OEM Ref.	: 2586042C91 / 2586039C91 / 1S180074 / 1S180083 / 2507374C91 / 2507375C91 / 2507457C1 / 2586073C91 / 3A50272D / 3A50786D
Other Ref.	: 238695 / HDC010244PA / 437411P / 640011PT / NAV11
Year	: 2005-2007

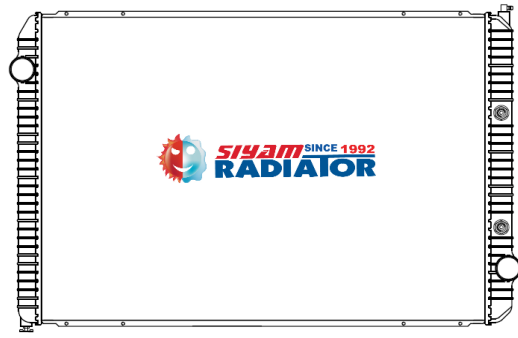
12719-XB P/A



International Prosatr / Eagle 9100i, 9200i, 9400i, 9900i / Ford F750 with Cat

Core Size	: 40 1/8" x 24 1/2" x 2 3/16"
No. of Rows	: 2
Inlet Pipe	: 2 1/2"
Outlet Pipe	: 2 1/2"
EOC	: No
TOC	: No
OEM Ref.	: 2591550C91 / 2591550-C91 / 2591556C91 / 2591556-C91 / 2591560C91 / 2591560-C91 / 2606177C91 / 2606177-C91 / 3E0127380000 / 3E0115530000
Other Ref.	: 239091 / HDC010569 / 640028AP / 615RA028 / NAV16
Year	: 2007-2009

12720-XB P/A



International Workstar 7600 / 7700 HTR

Core Size	: 45 5/8" x 31 7/8" x 2 3/16"
No. of Rows	: 2
Inlet Pipe	: 2 1/2"
Outlet Pipe	: 2 1/2"
EOC	: No
TOC	: Yes
OEM Ref.	: 2596272C91 / 3E0117590000 / 2596272-C91
Other Ref.	: 238765 / NAV39 / HDC010946PA / 615RA9314
Year	: 2008-2010



MD/HD COMPLETE TRUCK RADIATOR FOR INTERNATIONAL MODELS

12721-XB P/A

International	Prostar LTR / HX model LTR
Core Size	: 36 5/8" x 33 1/2" x 1 1/16"
No. of Rows	: 1
Inlet Pipe	: 1"
Outlet Pipe	: 1"
EOC	: No
TOC	: No
OEM Ref.	: 2604297C92 / 3697461F97 / 1003721 / 2604297C91 / 2604297C92 / 3697461F91 / 3697461F92 /
Other Ref.	: 238627 / HDK010108 / 615RA080 / 640080 / NAV43
Year	: 2010-2016

12722-XB P/A

International	Paystar 5900i
Core Size	: 29 5/16" x 35 3/4" x 2 3/16"
No. of Rows	: 2
Inlet Pipe	: 2 1/2"
Outlet Pipe	: 2 1/2"
EOC	: No
TOC	: No
OEM Ref.	: 2592373-C92 / 2592373C92 / 1S180140 / 3E0113910000
Other Ref.	: 238791 / NAV45 / HDC010966PA / 640094PT
Year	: 2008-2012

12739-XB P/A

International	3000 / 3600 / 3800 / 4100 / 4200 / 4300 / 4400
Core Size	: 22" X 25 1/8" X 2 3/16"
No. of Rows	: 2
Inlet Pipe	: 2 1/2"
Outlet Pipe	: 2 1/2"
EOC	: No
TOC	: No
OEM Ref.	: 2586419C91 / 3E016250000 / 3S016250000 / 1S180071 / 1S180126 / 2586049C91 / 2586049C92 / 3S10625
Other Ref.	: 238715 / HDC010236PA / NAV26 / 640023PT / CTVTU83514TT / 20013536 / TR9179 / 615RA023
Year	: 2005-2007

12740-XB P/A

International	4400 Series
Core Size	: 22 1/16" X 28 11/16" X 2 3/16"
No. of Rows	: 2
Inlet Pipe	: 2 1/4"
Outlet Pipe	: 2 1/4"
EOC	: No
TOC	: No
OEM Ref.	: 1S180051 / 1S180125 / 2506891C91 / 2506891C92 / 2507767C92 / 2585042C91 / 2586033C92 / 2586034C1 / 2586043C1 / 2586695C92
Other Ref.	: 239019 / HDC010239PA / 640019PT / 437271P / NAV27 / TR9019 / 615RA019
Year	: 2001-2006



MD/HD COMPLETE TRUCK RADIATOR FOR INTERNATIONAL MODELS

12766-XB

P/A



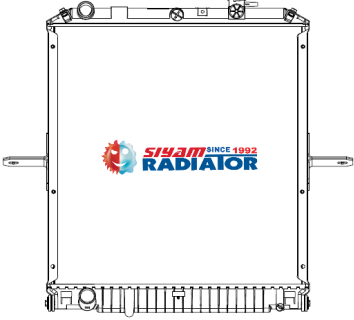
International CV515

Core Size	: 29 1/8" x 25 1/8" x 2 1/2"
No. of Rows	: 2
Inlet Pipe	: 2"
Outlet Pipe	: 2"
EOC	: No
TOC	: Yes
OEM Ref.	: 2518519C91
Other Ref.	: HDC011299PA / NAV81
Year	: 2020-2023



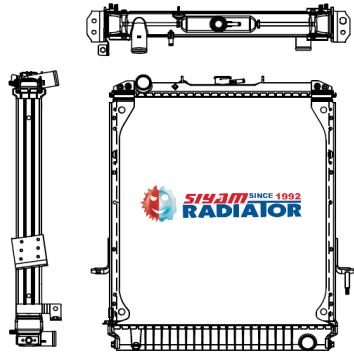
MD/HD COMPLETE TRUCK RADIATOR FOR ISUZU MODELS

12713-SB P/A



Isuzu	NPR / GMC W-3500-5500 (with Frame)
Core Size	: 24 3/8" x 23" x 1 1/4"
No. of Rows	: 1
Inlet Pipe	: 1 1/2"
Outlet Pipe	: 1 1/2"
EOC	: No
TOC	: Yes
OEM Ref.	: 8973331404 / 29406B0020
Other Ref.	: 238613 / HDC010363PAF / 437413P / ISU09F
Year	: 2005-2007

12714-SB P/A



Isuzu	NPR / Chevrolet, GMC LCF 3500/4500 (with Frame)
Core Size	: 23 1/4" x 22" x 1 1/4"
No. of Rows	: 1
Inlet Pipe	: 1 1/2"
Outlet Pipe	: 1 1/2"
EOC	: No
TOC	: Yes
OEM Ref.	: 1040080 / 8971793282 / 97179328 / 29406B0000
Other Ref.	: 239270 / HDC010086PA / ISU43F / 20010702 / 437414P / 580024PT
Year	: 1996-2020



MD/HD COMPLETE TRUCK RADIATOR FOR KENWORTH - PETERBILT MODELS

12361 P/A

Kenworth/Peterbilt Kenworth T800, T880 / Peterbilt 335, 365-367, 567

Core Size	: 37" X 38 1/2" X 1 7/8"
No. of Rows	: 2
Inlet Pipe	: 2 1/2"
Outlet Pipe	: 2 1/2"
EOC	: No
TOC	: No
OEM Ref.	: N3985001 / N3985002 / N3985003 / F3161011101110 / F3161011101120 / F3161011102110 / F3161011111110
Other Ref.	: 238624 / 770016PT / SER77164LH / PET18 / KW69 / 437441 / CTVTU82873 / HDC010176PA / 20012508 / HD205004
Year	: 2008-2015

12361-SB P/A

Kenworth/Peterbilt Kenworth T800, T880 / Peterbilt 335, 365-367, 567 (with Frame)

Core Size	: 37" X 38 1/2" X 1 7/8"
No. of Rows	: 2
Inlet Pipe	: 2 1/2"
Outlet Pipe	: 2 1/2"
EOC	: No
TOC	: No
OEM Ref.	: N3985001 / N3985002 / N3985003 / F3161011101110 / F3161011101120 / F3161011102110 / F3161011111110
Other Ref.	: 238872 / 770016PTWF / SER77164LH / PET18F / KW69 / 437441PF / CTVTU82873 / HDC010176PAF
Year	: 2008-2022

12363-SB P/A

Kenworth/Peterbilt Kenworth & Peterbilt trucks (with Frame)

Core Size	: 34 1/16" X 38 1/2" X 1 7/8"
No. of Rows	: 2
Inlet Pipe	: 2 1/2"
Outlet Pipe	: 2 1/2"
EOC	: No
TOC	: No
OEM Ref.	: N8061001 / N3800001 / F3162001A01510C / F3162001801510C / F3162001101410 / N3800003
Other Ref.	: 238891 / PET17FB / 437440 / HD205005 / 20013705 / HDC010177PAFB / N3800004 / F3160891233640 / F316089
Year	: 2008-2013

12364 P/A

Kenworth/Peterbilt Kenworth W900 / Peterbilt 365, 367, 388, 389

Core Size	: 42 15/16" X 38 1/2" X 1 7/8"
No. of Rows	: 2
Inlet Pipe	: 2 1/2"
Outlet Pipe	: 2 1/2"
EOC	: No
TOC	: No
OEM Ref.	: N9414001 / N9414002 / N9414003 / F3160851101310 / F3160851101330 / F3160851101340
Other Ref.	: 238625 / 770017PT / SER77174LH / BTC7390 / 437442 / CVTM82763 / HDC010175PA / 20013704 / F3160852102520 / PET19
Year	: 2008-2023



MD/HD COMPLETE TRUCK RADIATOR FOR KENWORTH - PETERBILT MODELS

12325 P/A

Kenworth/Peterbilt Kenworth W900 / Peterbilt 365, 367, 388, 389 (with Frame)

Core Size : 42 15/16" X 38 1/2" X 1 7/8"
 No. of Rows : 2
 Inlet Pipe : 2 1/2"
 Outlet Pipe : 2 1/2"
 EOC : No
 TOC : No

OEM Ref. : N9414001 / N9414002 / N9414003 / F3160851101310 / F3160851101330 / F3160851101340

Other Ref. : 238873 / 770017PTWF / SER77174LH / BTC7390 / CVTM82763 / HDC010175PAF / F3160852102520 / PET19F

Year : 2008-2023

12365 P/A

Kenworth/Peterbilt Kenworth T270, T370 / Peterbilt 330

Core Size : 25 5/8" X 38 1/2" X 1 7/8"
 No. of Rows : 2
 Inlet Pipe : 2 1/2"
 Outlet Pipe : 2 1/2"
 EOC : No
 TOC : No

OEM Ref. : F316164110120 / F316164110120G / F3161641101210/G

Other Ref. : 238651 / 770049PT / 633RA041 / HD205001 / 20013809 / 437420 / HDC010835PA / 4210327 / U3500001 / KEN30

Year : 2011-2023

12365-SB P/A

Kenworth Kenworth T270, T370, T300 / Peterbilt 330, 348, 325, 337 (with Frame)

Core Size : 25 5/8" X 38 1/2" X 1 7/8"
 No. of Rows : 2
 Inlet Pipe : 2 1/2"
 Outlet Pipe : 2 1/2"
 EOC : No
 TOC : No

OEM Ref. : U0742001 / F316164110120 / F316164110120G / F3161641101210/G / U3500001 / W0264001 / W0264002

Other Ref. : 238887 / HDC010835PAF / KEN30F

Year : 2011-2023

12366 P/A

Kenworth/Peterbilt Kenworth W900, T400 series / Peterbilt 384 & 386

Core Size : 36 1/16" X 36 1/8" X 1 7/8"
 No. of Rows : 2
 Inlet Pipe : 2 1/2"
 Outlet Pipe : 2 1/2"
 EOC : No
 TOC : No

OEM Ref. : N4028001 / N4028002 / N4028003 / N4028004 / F3160921101320 / F3160921111320 / F3160922101320

Other Ref. : 238648 / 770021PT / 633RA021 / 437443 / HD201001 / 20012512 / HDC010173PA / BHTH4102 / PET20

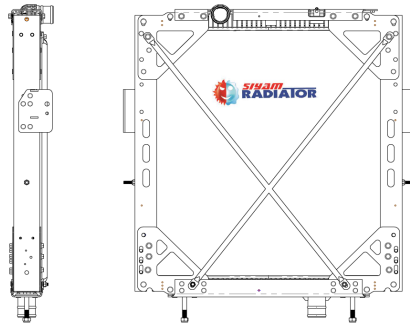
Year : 2008-2022



MD/HD COMPLETE TRUCK RADIATOR FOR KENWORTH - PETERBILT MODELS

12366-SB

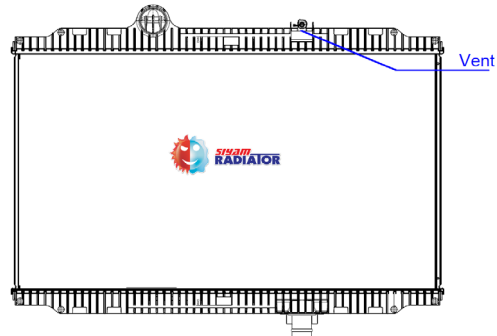
P/A



Kenworth/Peterbilt	Kenworth W900, T400 series / Peterbilt 384 & 386 (with Frame)
Core Size	: 36 1/16" X 36 1/8" X 1 7/8"
No. of Rows	: 2
Inlet Pipe	: 2 1/2"
Outlet Pipe	: 2 1/2"
EOC	: No
TOC	: No
OEM Ref.	: N4028001 / N4028002 / N4028003 / N4028004 / F3160921101320 / F3160921111320 / F3160922101320
Other Ref.	: 238884 / 770021PTWF / 633RA021 / DC010173PAF / BHTH4102 / PET20F
Year	: 2008-2022

12369

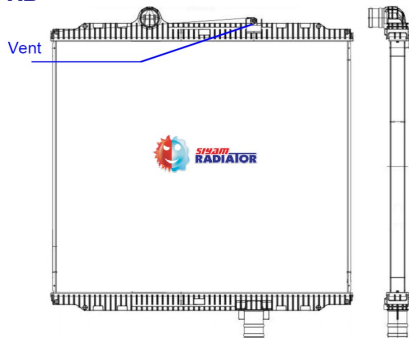
P/A



Kenworth/Peterbilt	Kenworth T300, T370 / Peterbilt 330, 335, 340
Core Size	: 22 1/4" X 38 1/2" X 1 7/8"
No. of Rows	: 2
Inlet Pipe	: 2 1/2"
Outlet Pipe	: 2 1/2"
EOC	: No
TOC	: No
OEM Ref.	: N3994001 / N3994002 / N3994003 / F3161221302120 / F3161221222110 / F3161221222110 / F3161221202110
Other Ref.	: 238630 / 770014PT / 633RA014 / 437399 / CTVTM82893 / 20012511 / PET16 / HDC010178PA / N3994003 / F3161221302120
Year	: 2008-2010

12370-XB

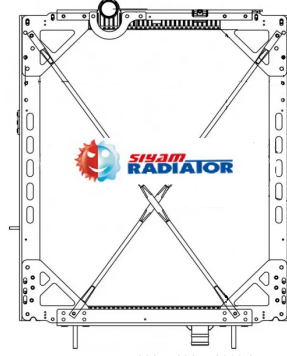
P/A



Kenworth/Peterbilt	Kenworth T680, T880, T2000 / Peterbilt 365, 367, 387, 587, 579
Core Size	: 34 1/16" X 38 1/2" X 1 7/8"
No. of Rows	: 2
Inlet Pipe	: 2 1/2"
Outlet Pipe	: 2 1/2"
EOC	: No
TOC	: No
OEM Ref.	: N8061001 / N3800001 / N3800002 / N3800003 / N3800004 / F3160891233640 / F3160893104060
Other Ref.	: 238631 / 770015PT / PET17 / 437440 / HD205005 / 20013705 / HDC010177PA / N3800004 / F3160891233640 / F316089
Year	: 2008-2021

12370-SB

P/A



Kenworth/Peterbilt	Kenworth T680, T880, T2000 / Peterbilt 365, 367, 387, 587, 579 (with Frame)
Core Size	: 34 1/16" X 38 1/2" X 1 7/8"
No. of Rows	: 2
Inlet Pipe	: 2 1/2"
Outlet Pipe	: 2 1/2"
EOC	: No
TOC	: No
OEM Ref.	: N8061001 / N3800001 / N3800002 / N3800003 / N3800004 / F3160891233640 / F3160893104060
Other Ref.	: 238874 / 770015PTWF / PET17FC / HD205005 / HDC010177PAF / N3800004 / F3160891233640 / F316089
Year	: 2008-2017



MD/HD COMPLETE TRUCK RADIATOR FOR KENWORTH - PETERBILT MODELS

12374 P/A

Kenworth Kenworth T660, W900, T800H

Core Size : 43 "X 30 5/8" X 1 7/8"

No. of Rows : 2

Inlet Pipe : 2 1/2"

Outlet Pipe : 2 1/2"

EOC : No

TOC : No

OEM Ref. : F3161671111110 / W0265001 / W0265002

Other Ref. : 239045 / 650018PT / KEN20 / CVTU84044 / 437278 / HDC010696PA / 20012514 / 619RA018 / F316167

Year : 2006-2013

12374-SB P/A

Kenworth T660 with ISX15 (with Frame)

Core Size : 43" x 30 5/8" x 1 7/8"

No. of Rows : 2

Inlet Pipe : 2 1/2"

Outlet Pipe : 2 1/2"

EOC : No

TOC : No

OEM Ref. : F3161671111110 / W0265001 / W0265002

Other Ref. : 238885 / HDC010696PAF / CVTU84044 / KEN20F / 650018PTWF / 20012514 / 437278

Year : 2006-2013

12398 P/A

Kenworth Kenworth T660, W900, T880, W900L, W990

Core Size : 40 7/16 "X 30 5/8" X 1 7/8"

No. of Rows : 2

Inlet Pipe : 2 1/2"

Outlet Pipe : 2 1/2"

EOC : No

TOC : No

OEM Ref. : N4020001 / N4020002 / F3160881101100 / F3160881101120

Other Ref. : 238638 / 650017PT / 20012507 / KW8174 / CVTM81743 / HD205008 / HDC010492PA / 437275 / N4020002 / KEN14

Year : 2006-2024

12398-SB P/A

Kenworth W900L, T660, W900 (with Frame)

Core Size : 40 7/16 "X 30 5/8" X 1 7/8"

No. of Rows : 2

Inlet Pipe : 2 1/2"

Outlet Pipe : 2 1/2"

EOC : No

TOC : No

OEM Ref. : F3160881101120 / F3160881103410 / F3160881105100 / N4020001 / F3160881001100 / F3160881002100 / F3160881011100 / F3160881012100

Other Ref. : 238889 / 650017PTWF / KEN14 / 4317038 / HDC010492PAF

Year : 2008-2024



MD/HD COMPLETE TRUCK RADIATOR FOR KENWORTH - PETERBILT MODELS

12573-XB P/A

Kenworth/Peterbilt	Kenworth T680 / Peterbilt 579
Core Size	: 34 1/11" X 37 12/16" X 1 1/2"
No. of Rows	: 2
Inlet Pipe	: 2 1/2"
Outlet Pipe	: 2 1/2"
EOC	: No
TOC	: No
OEM Ref.	: HK179100 / HK179001 / 2401749 / F3112541101211 / F3112541102211 / F3112541111211 / F3112541111221
Other Ref.	: 238900 / 650032PT / 437565 / PET40
Year	: 2018-2024

12573-SB P/A

Kenworth/Peterbilt	Kenworth T680 / Peterbilt 579 (with Frame)
Core Size	: 34 1/11" X 37 12/16" X 1 1/2"
No. of Rows	: 2
Inlet Pipe	: 2 1/2"
Outlet Pipe	: 2 1/2"
EOC	: No
TOC	: No
OEM Ref.	: HK179100 / HK179001 / 2401749 / F3112541101211 / F3112541102211 / F3112541111211 / F3112541111221
Other Ref.	: 238901 / 650032PTWF / 437565F / PET40F
Year	: 2018-2021

12573-SBF P/A

Kenworth/Peterbilt	Kenworth T880 / Peterbilt 389 (with Frame)
Core Size	: 34 1/11" X 37 12/16" X 1 1/2"
No. of Rows	: 2
Inlet Pipe	: 2 1/2"
Outlet Pipe	: 2 1/2"
EOC	: No
TOC	: No
OEM Ref.	: F3112661621261 / HK179001
Other Ref.	: HDC011291PAF / PET40FB
Year	: 2022-2024


12596-XB P/A

Kenworth/Peterbilt	Kenworth T660 / Peterbilt 320 & 520 Sanitation Trucks
Core Size	: 40 1/2" X 30 1/2" X 2 3/16"
No. of Rows	: 2
Inlet Pipe	: 2 1/2"
Outlet Pipe	: 2 1/2"
EOC	: No
TOC	: No
OEM Ref.	: F3161661102010 / F3160961001010 / F3160961001020
Other Ref.	: 238717 / HDC010172PA / 770022 / KEN19 / CTVTU83283 / 437293P / T8789001 / R1621001 / L9792001 / L9797001 / X1290001
Year	: 2008-2022



MD/HD COMPLETE TRUCK RADIATOR FOR KENWORTH - PETERBILT MODELS

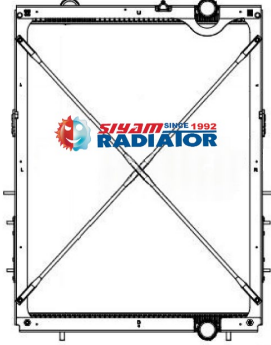
12616-XB P/A



Kenworth/Peterbilt Kenworth T680 / Peterbilt 579

Core Size	: 40" X 30" X 1 7/8"
No. of Rows	: 2
Inlet Pipe	: 2 1/2"
Outlet Pipe	: 2 1/2"
EOC	: No
TOC	: No
OEM Ref.	: PY091001
Other Ref.	: 238927 / HDC011286PA / PET42
Year	: 2022-2024


12616-SB P/A



Kenworth/Peterbilt Kenworth T680 / Peterbilt 579 (with Frame)

Core Size	: 40" X 30" X 1 7/8"
No. of Rows	: 2
Inlet Pipe	: 2 1/2"
Outlet Pipe	: 2 1/2"
EOC	: No
TOC	: No
OEM Ref.	: PY091001
Other Ref.	: 238928 / HDC011286PAF / PET42F
Year	: 2022-2024

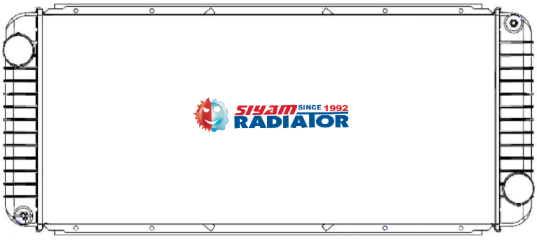
12649-XB P/A



Kenworth/Peterbilt Peterbilt 320 & 520 Sanitation Trucks / Kenworth T660 with Natural Gas & Diesel engines

Core Size	: 40 1/2" X 30 5/8" X 1 7/8"
No. of Rows	: 2
Inlet Pipe	: 2 1/2"
Outlet Pipe	: 2 1/2"
EOC	: No
TOC	: No
OEM Ref.	: 14105AC / F3160951001020 / N4007001 / N4007002
Other Ref.	: 238735 / HDC010818PA / 770034 / 14105AC / KEN29 / 1103146AS
Year	: 2008-2022

12650-XB P/A



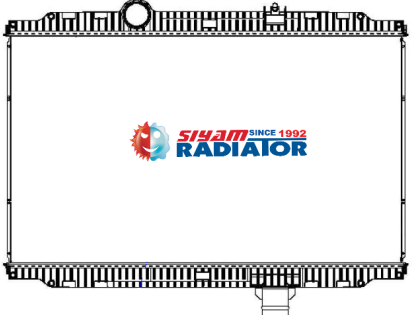
Kenworth/Peterbilt Peterbilt 335, 340, 330 / Kenworth T300

Core Size	: 34 5/8" X 15 3/4" X 1 7/8"
No. of Rows	: 2
Inlet Pipe	: 2 1/4"
Outlet Pipe	: 2 1/4"
EOC	: No
TOC	: No
OEM Ref.	: 106730000 / 3E0099930000 / 3E0106730000 / 3S10673 / 5A0682490000 / 70809512112 / 70809512121 / 70809512221 / 70809512222 / 3E0106730000
Other Ref.	: 238628 / HDC010184PA / 770005 / 437395P / CTVTM80623 / 20012510 / 3E0099930000 / PET05
Year	: 2003-2007



MD/HD COMPLETE TRUCK RADIATOR FOR KENWORTH - PETERBILT MODELS

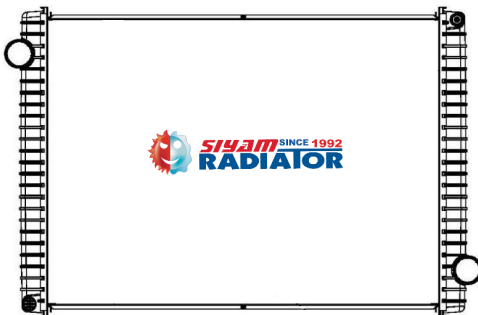
12664-XB P/A



Kenworth/Peterbilt Peterbilt 382 / Kenworth T800

Core Size	: 30 3/7" X 38 7/8" X 2 3/16"
No. of Rows	: 2
Inlet Pipe	: 2 1/2"
Outlet Pipe	: 2 1/2"
EOC	: No
TOC	: No
OEM Ref.	: 1102310B / N2273001 / N3975001 / F3161024333420
Other Ref.	: 238718 / HDC010868PA / 770038 / PET38
Year	: 2010-2012

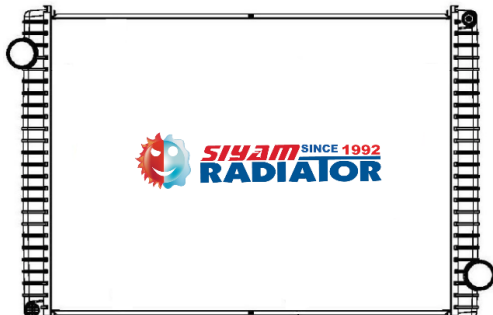
12715-XB P/A



Kenworth T300

Core Size	: 36 1/2" x 25 1/8" x 2 3/16"
No. of Rows	: 2
Inlet Pipe	: 2 1/2"
Outlet Pipe	: 2 1/2"
EOC	: No
TOC	: No
OEM Ref.	: K19419271 / K19419272
Other Ref.	: 238797 / HDC010640PA / 437167P / 650004PT / KEN04
Year	: 1997-2003


12715-LXB P/A



Kenworth T300

Core Size	: 36 1/2" x 25 1/8" x 1 1/2"
No. of Rows	: 2
Inlet Pipe	: 2 1/2"
Outlet Pipe	: 2 1/2"
EOC	: No
TOC	: No
OEM Ref.	: 3S056666 / E28485 / K19419271 / K19419272 / K1949272 / X4497 / K19419521 / K19419522 / E284804 / E284802 / E2848 / 1A16366 / 1A15649
Other Ref.	: 239320 / HDC010221PA / CTVTU57363 / KEN03 / 437162P / 650003PT
Year	: 1997-2003

12729-XB P/A




Kenworth T800 High Hood

Core Size	: 44" x 40 7/16" x 2 1/16"
No. of Rows	: 2
Inlet Pipe	: 2 1/2"
Outlet Pipe	: 2 1/2"
EOC	: No
TOC	: No
OEM Ref.	: R1286001 / P8953001 / R1286002
Other Ref.	: 238807 / HDC011003PA / KEN15 / 650015PT / 437277P
Year	: 2008-2013



MD/HD COMPLETE TRUCK RADIATOR FOR KENWORTH - PETERBILT MODELS

12735-XBL P/A



Peterbilt 330


Core Size : 34 1/2" x 25 1/8" x 1 1/2"
 No. of Rows : 2
 Inlet Pipe : 2 1/2"
 Outlet Pipe : 2 1/2"
 EOC : No
 TOC : No

OEM Ref. : 070675A001 / 0706875A001 / 0706875A90 / 0706876A001 / 07751A / 07751AE / 154J2497102 / 3S56668 / 706875001 / 70700101000 / X43194

Other Ref. : 239389 / HDC010963PA / CTVTU80463 / 770003PT / FLX000504 / PET03

Year : 2000-2003

12735-XB P/A



Peterbilt 330

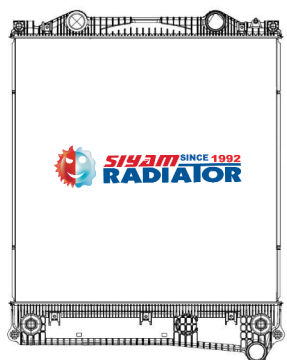
Core Size : 34 1/2" x 25 1/8" x 2 3/16"
 No. of Rows : 2
 Inlet Pipe : 2 1/2"
 Outlet Pipe : 2 1/2"
 EOC : No
 TOC : No

OEM Ref. : 070675A001 / 0706875A001 / 0706875A90 / 0706876A001 / 07751A / 07751AE / 154J2497102 / 3S56668 / 706875001 / 70700101000 / X43194

Other Ref. : 238771 / HDC010185PA / PET04 / 437163P / 770004PT / CTVTU80463 / FLX000504

Year : 2000-2003

12755 P/A



Kenworth/Peterbilt Kenworth T180-T480 / Peterbilt 535-548

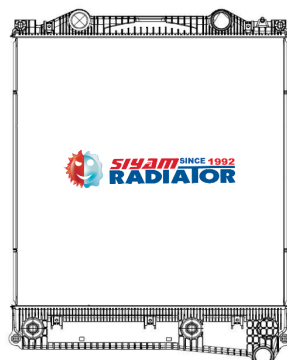
Core Size : 31 1/4" x 30 3/8" x 1 5/8"
 No. of Rows : 2
 Inlet Pipe : 2 1/4"
 Outlet Pipe : 2 1/4"
 EOC : No
 TOC : Yes

OEM Ref. : RF368001

Other Ref. : HDC011294PA / PET43

Year : 2022-2024

12756 P/A



Peterbilt 536 PX7

Core Size : 31 1/4" x 30 3/8" x 1 5/8"
 No. of Rows : 2
 Inlet Pipe : 2 1/4"
 Outlet Pipe : 2 1/4"
 EOC : No
 TOC : Yes

OEM Ref. : RF369001

Other Ref. : HDC011296PA / PET45

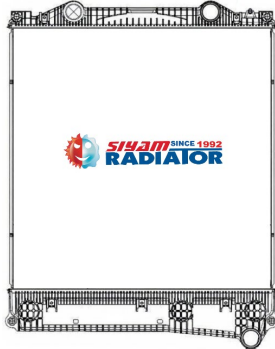
Year : 2023-2024



MD/HD COMPLETE TRUCK RADIATOR FOR KENWORTH - PETERBILT MODELS

12758

PIA

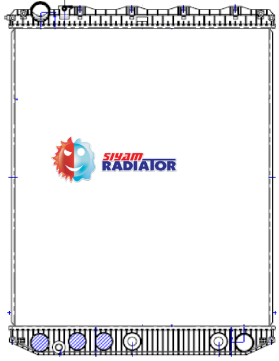


Kenworth	T180
Core Size	: 31 1/4" x 30 3/8" x 1 5/8"
No. of Rows	: 2
Inlet Pipe	: 2 1/4"
Outlet Pipe	: 2 1/4"
EOC	: No
TOC	: No
OEM Ref.	: RF364001
Other Ref.	: 238942 / HDC011295PA / PET46
Year	: 2020-2023



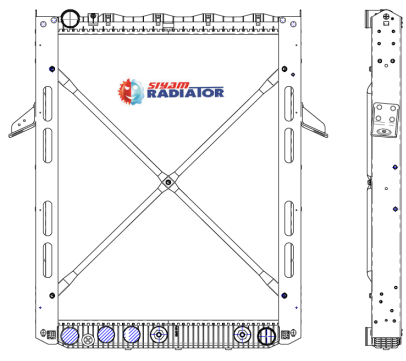
MD/HD COMPLETE TRUCK RADIATOR FOR MACK - VOLVO MODELS

12496 P/A




Mack / Volvo	Volvo VNL, VNM, CT, CV / Mack Vision, Granite, Pinnacle
Core Size	: 40 7/16" X 33 4/5" X 1 7/8"
No. of Rows	: 2
Inlet Pipe	: 2 1/2"
Outlet Pipe	: 2 1/2"
EOC	: No
TOC	: Yes
OEM Ref.	: 22234461 / 1016491 / 20956552 / 20956564 / 21146403 / 21146404 / 21298076 / 21504536 / 21504548 / 21593032 / 21593038 / 22644024
Other Ref.	: 239047 / 800052PT / 437435 / CAVTM81723 / HD203003 / 20014608 / HDC010133PA / 1102947 / P6861003 / 20956552 / VOL03
Year	: 2008-2019

12496-SB P/A



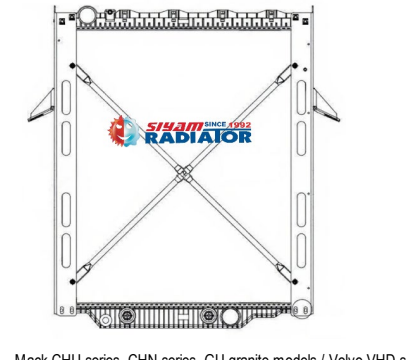
Mack / Volvo	Volvo VNL / VNM (with Frame)
Core Size	: 40 7/16" X 33 4/5" X 1 7/8"
No. of Rows	: 2
Inlet Pipe	: 2 1/2"
Outlet Pipe	: 2 1/2"
EOC	: No
TOC	: Yes
OEM Ref.	: 22234461 / 1016491 / 20956552 / 20956564 / 21146403 / 21146404 / 21298076 / 21504536 / 21504548 / 21593032 / 21593038 / 22644024
Other Ref.	: 238726 / 800052PTWF / 437435PF / CAVTM81723 / HDC010133PAF / 1102947 / P6861003 / 20956552 / VOL03F
Year	: 2008-2019

12506 P/A



Mack / Volvo	Mack CHU series, CHN series, GU granite models / Volvo VHD series
Core Size	: 39 3/9" X 33 4/5" X 1 7/8"
No. of Rows	: 2
Inlet Pipe	: 2 1/2"
Outlet Pipe	: 2 1/2"
EOC	: No
TOC	: Yes
OEM Ref.	: 21000184 / 21000185 / 21095128 / 21504538 / 21504550
Other Ref.	: 239048 / 730018PT / 437223 / MAC19 / CTAVTU83534 / HD201701 / HDC010199PA / 20013017 / 8MK376761651 / S5587002
Year	: 2008-2023

12506-SB P/A




Mack / Volvo	Mack CHU series, CHN series, GU granite models / Volvo VHD series (with Frame)
Core Size	: 39 3/9" X 33 4/5" X 1 7/8"
No. of Rows	: 2
Inlet Pipe	: 2 1/2"
Outlet Pipe	: 2 1/2"
EOC	: No
TOC	: Yes
OEM Ref.	: 21000184 / 21000185 / 21095128 / 21504538 / 21504550
Other Ref.	: 238858 / HDC010199PAF / MAC19F / 0437223P
Year	: 2008-2023



MD/HD COMPLETE TRUCK RADIATOR FOR MACK - VOLVO MODELS

12325 P/A



Mack / Volvo Volvo VN series / Mack CHN, CXN


Core Size : 35 7/16" X 34 3/16" X 1 7/8"
 No. of Rows : 2
 Inlet Pipe : 2 1/2"
 Outlet Pipe : 2 1/2"
 EOC : No
 TOC : Yes

OEM Ref. : 20370258 / 20370259 / 20461059 / 20461069 / 20461073 / 20485886 / 20516408 / 20516412

Other Ref. : 239156 / 800040PT / VOL40 / 637RA040 / 437432 / 20014603 / HDC01042PA / CTVTM60033 / ACTSA600344N / FLX000604

Year : 2003-2007

12558-XBM P/A



Mack / Volvo VN, VNL, VHM Series

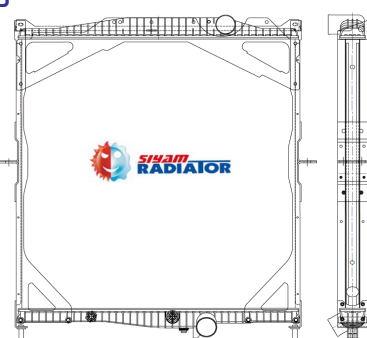
Core Size : 35 7/16" X 34 3/16" X 1 7/8"
 No. of Rows : 2
 Inlet Pipe : 2 1/2"
 Outlet Pipe : 2 1/2"
 EOC : No
 TOC : No

OEM Ref. : 1003406 / 1003424 / 100357 / 1003622BV / 1050017 / 1050018 / 1050024 / 1050096 / 1050107 / 1050119 / 1050119BR / 1102364 / 1675647

Other Ref. : 239123 / HDC010006PA / FLX000604 / 20014603 / 437161P / 800009PT / CTVTU60033 / VOL09 / 637RA009

Year : 1996-2005

12558-SB P/A



Mack / Volvo Volvo VN series / Mack CHN, CXN (with Frame)


Core Size : 35 7/16" X 34 3/16" X 1 7/8"
 No. of Rows : 2
 Inlet Pipe : 2 1/2"
 Outlet Pipe : 2 1/2"
 EOC : No
 TOC : Yes

OEM Ref. : 20370258 / 20370259 / 20461059 / 20461069 / 20461073 / 20485886 / 20516408 / 20516412

Other Ref. : 239155 / 800040PTWF / VOL40FG / 637RA040 / 437432PF / HDC010425PAF / CTVTM60033 / ACTSA600344N / FLX000604

Year : 2003-2007

12559-XB P/A



Mack / Volvo Mack CT, CTP Granite / Volvo VHD

Core Size : 34 5/8" X 34 3/16" X 1 7/8"
 No. of Rows : 2
 Inlet Pipe : 2 1/2"
 Outlet Pipe : 2 1/2"
 EOC : No
 TOC : Yes

OEM Ref. : 1050091AR / 1050091 / 1102246BS / 1102246 / 20408582 / 20408586 / 20461075 / 20461083

Other Ref. : 239160 / 800043PT / 20014606 / 437433 / REA4210216 / 1102246 / 20408582 / VOL43 / VG74OC / 1003574A

Year : 2002-2007



MD/HD COMPLETE TRUCK RADIATOR FOR MACK - VOLVO MODELS

12611-XB P/A

Mack / Volvo	VNL / VNM
Core Size	: 40 7/16" X 33 4/5" X 1 7/8"
No. of Rows	: 2
Inlet Pipe	: 2 1/2"
Outlet Pipe	: 2 1/2"
EOC	: No
TOC	: Yes
OEM Ref.	: 22234461 / 22508830 / 22593864 / 85125539 / 23017335 / 37670011
Other Ref.	: HDC011153PA / 437557P / VOL50
Year	: 2016-2021

12611-SB P/A

Mack / Volvo	VNL / VNM (with Frame)
Core Size	: 40 7/16" X 33 4/5" X 1 7/8"
No. of Rows	: 2
Inlet Pipe	: 2 1/2"
Outlet Pipe	: 2 1/2"
EOC	: No
TOC	: Yes
OEM Ref.	: 22234461 / 22508830 / 22593864 / 85125539 / 23017335 / 37670011
Other Ref.	: HDC011153PAF / 437557PF / VOL50F
Year	: 2016-2021

12651-XB P/A

Mack / Volvo	CV613, CV713, RD, RD600, RD688S, RL, RS models
Core Size	: 27 1/2" X 34 5/8" X 1 7/8"
No. of Rows	: 2
Inlet Pipe	: 2"
Outlet Pipe	: 2 1/2"
EOC	: No
TOC	: No
OEM Ref.	: 20961102101 / 20961102102 / 20961102295 / 3MF5526AM / 3MF5526AM2
Other Ref.	: 239304 / HDC010009PA / 437193 / 20013006 / 730006 / CTVTU81973 / 20961102101 / 3MF5526AM / MAC06
Year	: 1995-2005

12651-SB P/A

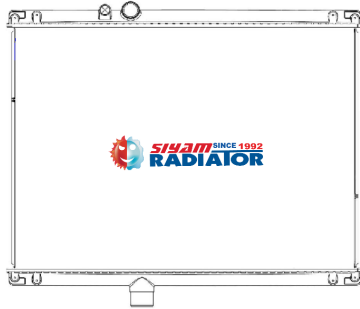
Mack	CV-RD Series (with Frame)
Core Size	: 27 7/16" x 33 3/8" x 2 3/16"
No. of Rows	: 2
Inlet Pipe	: 2"
Outlet Pipe	: 2 1/2"
EOC	: No
TOC	: No
OEM Ref.	: 20961102101 / 20961102102 / 20961102295 / 3MF5526AM / 3MF5526AM2 / 3MF5526BM / 3MF5526M2 / 3MF5526M / 3MF5526M2 / 3MF5531AM
Other Ref.	: 238752 / HDC010009PAF / 437193PF / 730006PTWF / CTVTU81973 / MAC06F / 20013006 / 11C7578ST
Year	: 1995-2007



MD/HD COMPLETE TRUCK RADIATOR FOR MACK - VOLVO MODELS

12654-XB

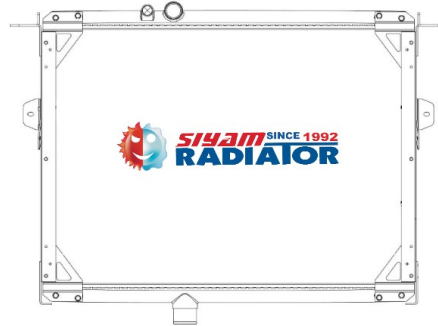
P/A



Mack / Volvo	CH models
Core Size	: 29" X 39 1/2" X 1 7/8"
No. of Rows	: 2
Inlet Pipe	: 2"
Outlet Pipe	: 2 1/2"
EOC	: No
TOC	: No
OEM Ref.	: 1003269 / 1003270 / 1003470 / 1003486 / 1050026 / 1102027 / 1102134 / 1102357 / 1103596
Other Ref.	: 239126 / HDC010002PA / 730005 / 2001-3005 / 0437155 / 20961102027 / 2MF5112M / 3MF5507M / 3MF5507M2 / MAC05
Year	: 1992-2004

12654-SB

P/A



Mack	CH Series (with Frame)
Core Size	: 28 15/16" x 38 1/2" x 2 3/16"
No. of Rows	: 2
Inlet Pipe	: 2"
Outlet Pipe	: 2 1/2"
EOC	: No
TOC	: No
OEM Ref.	: 1003269 / 1003270 / 1003470 / 1003486 / 1050026 / 1102027 / 1102134 / 1102357 / 1103596 / 20961102027 / 20961102134 / 2MF5112M / 2MF514M
Other Ref.	: 239205 / HDC010002PAF / 20013005 / MAC05F / 730005PTWF / 437155PF / CTVTU80533
Year	: 1995-2004

12718-XB

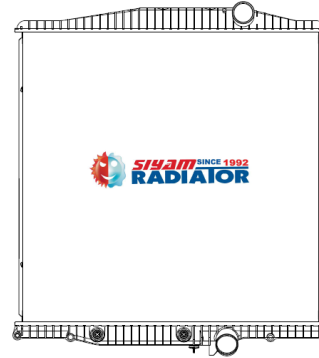
P/A



Mack	CXN612 Series, CX
Core Size	: 31 7/8" x 29 5/8" x 2 3/16"
No. of Rows	: 2
Inlet Pipe	: 2"
Outlet Pipe	: 2"
EOC	: No
TOC	: No
OEM Ref.	: 376753551 / 3MF5514AM / 3MF5541AM / 3MF5541M / 3MF55541M / D0090 / D0094
Other Ref.	: 239252 / HDC010205PA / 437394P / MAC11 / 730011PT / FLX000421 / BTC7257SM / 20013015
Year	: 2005-2008

12723-XB

P/A

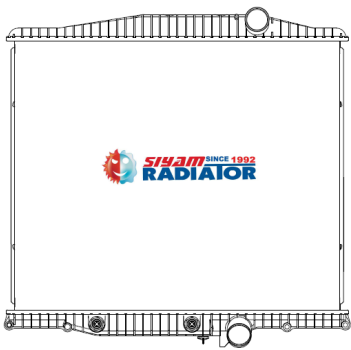


Mack / Volvo	Mack PNG / Volvo VN780 Series
Core Size	: 33 3/8" x 34 15/16" x 1 7/8"
No. of Rows	: 2
Inlet Pipe	: 2 1/2"
Outlet Pipe	: 2 1/2"
EOC	: No
TOC	: Yes
OEM Ref.	: 1003610 / 1003616 / 21137366 / 3MF5553M / 3MF5553M2 / 3MF5580M / 3MF5580M2 / 85112709 / 25176169 / 85112709 / 1003610A / 1003610B
Other Ref.	: 238637 / HDC010494PA / 437288P / 730055PT / VOL14 / 621RA055
Year	: 2003-2007




MD/HD COMPLETE TRUCK RADIATOR FOR MACK - VOLVO MODELS

12724-XB P/A




Mack / Volvo	Volvo VHD / Mack CT, CTP
Core Size	: 28 1/4" x 35" x 2 3/16"
No. of Rows	: 2
Inlet Pipe	: 2 1/2"
Outlet Pipe	: 2 1/2"
EOC	: No
TOC	: Yes
OEM Ref.	: 1003551 / 1003575 / 1102248 / B208426 / 20461077 / 20498130 / 1003551AS / 1003551AV / 1003575AS / 1003575AV / 21138645 / 21138659 / 3MF5554M
Other Ref.	: 239161 / VOL44 / HDC010138PA / 437434 / 800044PT / 20013010
Year	: 2002-2007

12741-XB P/A




Volvo	WCA / WIA / WG / WG42T / WG64
Core Size	: 35" X 26" X 2 3/16"
No. of Rows	: 2
Inlet Pipe	: 2 1/2"
Outlet Pipe	: 2 1/2"
EOC	: No
TOC	: No
OEM Ref.	: 1002390 / 1003190 / 1003352 / 1003369FF1 / 1040057 / 1101871 / 200010004 / 200012182 / 200013201 / 200013204 / 200013276 / 200013282
Other Ref.	: 238676 / HDC010012PA / 437125 / 20014601 / 800001PT / VOL01 / FLX000602 / 637RA001
Year	: 1994-2000

12759 P/A



Mack / Volvo	Mack Anthem / Volvo VNL / VNR
Core Size	: 40 1/2" x 33 3/4" x 2 3/16"
No. of Rows	: 2
Inlet Pipe	: 2 1/2"
Outlet Pipe	: 2 1/2"
EOC	: No
TOC	: Yes
OEM Ref.	: 23459369
Other Ref.	: VOL51
Year	: 2022-2024

12763 P/A



Mack	MRU with PTO
Core Size	: 38 7/8" x 27 1/2" x 2 3/16"
No. of Rows	: 2
Inlet Pipe	: 2 5/16"
Outlet Pipe	: 2 1/2"
EOC	: No
TOC	: Yes
OEM Ref.	: 1102445 / 21016731 / 3MF5593M2 / 21016731 / 1003656 / 21016733 / 21830328 / 1050179
Other Ref.	: 239072 / HDC010193AAF / MAC31F / 730041 / 437229 / X7327
Year	: 2007-2010



MD/HD COMPLETE TRUCK RADIATOR FOR MACK - VOLVO MODELS

12765-XB P/A

Drain

Mack / Volvo	Mack CH613,CHN613,GU Granite / Volvo VHD84C
Core Size	: 39 3/8" x 34 3/16" x 2 3/16"
No. of Rows	: 2
Inlet Pipe	: 2 1/2"
Outlet Pipe	: 2 1/2"
EOC	: No
TOC	: Yes
OEM Ref.	: 21000732 / 21000733 / 21095130 / 21095132 / 21504542 / 21504554 / 21593035 / 21593041 / 2MF561M / 376761661 / 85112702 / 85125541
Other Ref.	: 239049 / HDC010194PA / 730026PT / MAC24 / 437228P
Year	: 2006-2016

12765-SB P/A

Mack / Volvo	Mack CH613,CHN613,GU Granite / Volvo VHD84C
Core Size	: 39 3/8" x 34 3/16" x 2 3/16"
No. of Rows	: 2
Inlet Pipe	: 2 1/2"
Outlet Pipe	: 2 1/2"
EOC	: No
TOC	: Yes
OEM Ref.	: 21000732 / 21000733 / 21095130 / 21095132 / 21504542 / 21504554 / 21593035 / 21593041 / 2MF561M / 376761661 / 85112702 / 85125541
Other Ref.	: 238860 / HDC010194PAF / 730026PTWF / MAC24F / 437228PF
Year	: 2006-2016



MD/HD COMPLETE TRUCK RADIATOR FOR WESTERN STAR MODELS

12587-XB P/A

Western Star	4900 EX
Core Size	: 38 13/16" X 40 13/16" X 2 3/16"
No. of Rows	: 2
Inlet Pipe	: 2 1/2"
Outlet Pipe	: 2 1/2"
EOC	: No
TOC	: Yes
OEM Ref.	: 0526875000 / A0528684004 / A0526875000 / 0528684004 / A0528684006 / A0526846004
Other Ref.	: 238768 / 800123PT / 0526875000 / A0528684004 / 1A19334 / 3E0119410000 / 0529306006 / WES26 / HDC010956PA / 437498P
Year	: 2010-2014

12589-XB P/A

Western Star	4800-4900
Core Size	: 37 7/16" X 40 13/16" X 2 3/16"
No. of Rows	: 2
Inlet Pipe	: 2 1/2"
Outlet Pipe	: 2 1/2"
EOC	: No
TOC	: Yes
OEM Ref.	: 1A0208180003 / 3E0127190003 / 3A0573370003 / A0529632003 / 0529622003 / 0529622001
Other Ref.	: 238634 / 800118PT / HDC010741PA / 639RA1280 / 437315 / 1A0208180003 / MOD3S0582020001 / 0529622003 / WES17
Year	: 2008-2013

12661-XB P/A

Western Star	4900EX, 4964EX
Core Size	: 38" X 34 1/2" X 2 3/16"
No. of Rows	: 2
Inlet Pipe	: 2 1/2"
Outlet Pipe	: 2 1/2"
EOC	: No
TOC	: No
OEM Ref.	: 1806334 / 1A15458G / 1A19185 / 1A19233 / 1A19377 / 1A19381 / 1A19384 / 1A19388
Other Ref.	: 238672 / HDC010080PA / 20014701 / 800013 / CTVTM82003 / FLX001502 / 437436P / 1S10787 / A0521110017 / WES13
Year	: 1998-2007

12711-XB P/A

Western Star	4700 with DD13 / Freightliner Coronado Series
Core Size	: 42 1/8" x 41 5/8" x 2 3/16"
No. of Rows	: 2
Inlet Pipe	: 2 1/2"
Outlet Pipe	: 2 1/2"
EOC	: No
TOC	: Yes
OEM Ref.	: 0524939003 / 0527748003 / 0529616003 / A0525304003 / 524939003 / 527748003 / 529616003 / 0525304003
Other Ref.	: 238690 / HDC010859PA / FRE96 / 20011754 / 437446P
Year	: 2013



MD/HD COMPLETE TRUCK RADIATOR FOR WESTERN STAR MODELS

12325 P/A

SIYAM SINCE 1992 RADIATOR

Western Star 4700 with DD13 / Freightliner Coronado Series *(with Frame)*

Core Size	: 42 1/8" x 41 5/8" x 2 3/16"
No. of Rows	: 2
Inlet Pipe	: 2 1/2"
Outlet Pipe	: 2 1/2"
EOC	: No
TOC	: Yes
OEM Ref.	: 0524939003 / 0527748003 / 0529616003 / A0525304003 / 524939003 / 527748003 / 529616003 / 0525304003
Other Ref.	: 238747 / HDC010859PAF / 437446PF / FRE96F
Year	: 2013

12747-XB P/A

SIYAM SINCE 1992 RADIATOR

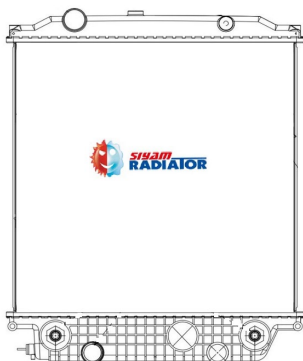
Western Star 4700SB L9, 4700SB/SF / Freightliner 114SD L9 / 114SD RSO

Core Size	: 33 1/4" X 38 7/8" X 1 7/8"
No. of Rows	: 2
Inlet Pipe	: 2"
Outlet Pipe	: 2"
EOC	: No
TOC	: Yes
OEM Ref.	: BHTEA753001 / A0530702001 / A05-30702-001 / 0530702001 / 05-30702-001
Other Ref.	: 238773 / HDC010950PA / FRE111 / 0437253P / 900043 / 20011742
Year	: 2021-2022



COMPLETE RADIATOR FOR BLUEBIRD BUS MODELS

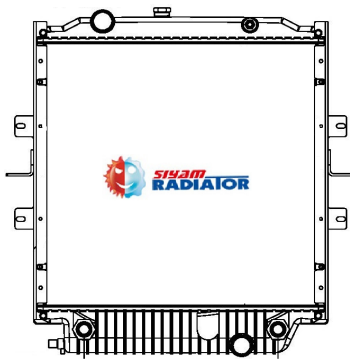
12536 P/A



Bluebird Vision

Core Size	: 25" x 25" x 2 3/16"
No. of Rows	: 2
Inlet Pipe	: 2"
Outlet Pipe	: 2"
EOC	: No
TOC	: Yes
OEM Ref.	: 1003730/1102464/733477 / 5071501
Other Ref.	: 239283 / 310011PT / 437217P / BLU08 / 20065103 / HDC010322PA
Year	: 2003-2006

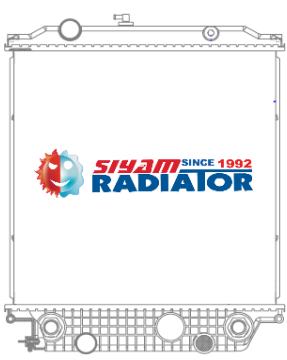
12536-SB P/A



Bluebird CV, Vision (with Frame)

Core Size	: 25" x 25" x 2 3/16"
No. of Rows	: 2
Inlet Pipe	: 2"
Outlet Pipe	: 2"
EOC	: No
TOC	: Yes
OEM Ref.	: 1003730
Other Ref.	: 239284 / 310011PTWF / 437217PF / BLU08F / HDC010322PAF
Year	: 2002-2006

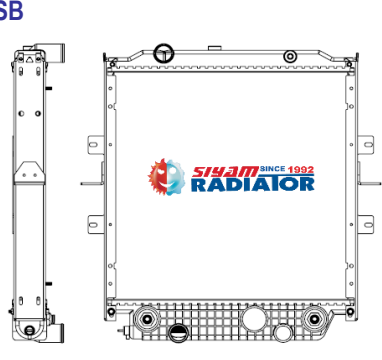
12626 P/A



Bluebird Vision Bus with Ford Gas/Propane Engine

Core Size	: 25" x 25 1/8" x 2 3/16"
No. of Rows	: 2
Inlet Pipe	: 2"
Outlet Pipe	: 2"
EOC	: No
TOC	: Yes
OEM Ref.	: 1102911 /1102684
Other Ref.	: 238838 / 310163 / BLU12 / 437566P / HDC011038PA
Year	: 2010-2015

12626-SB P/A




Bluebird Vision Bus with Ford Gas/Propane Engine (with Frame)

Core Size	: 25" x 25 1/8" x 2 3/16"
No. of Rows	: 2
Inlet Pipe	: 2"
Outlet Pipe	: 2"
EOC	: No
TOC	: Yes
OEM Ref.	: 1102911 /1102684
Other Ref.	: 238881 / 310163PTWF / BLU12F / 437566PF / HDC011038PAF
Year	: 2010-2015



COMPLETE RADIATOR FOR BLUEBIRD BUS MODELS

12627 P/A

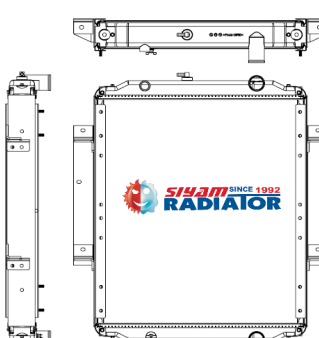


SIYAM SINCE 1992 RADIATOR

All American HDPE 3000 / Also fits various Freightliner & Oshkosh models

Bluebird / Freightliner	Oshkosh models
Core Size	: 29 5/8" x 25 1/8" x 2 3/16"
No. of Rows	: 2
Inlet Pipe	: 2"
Outlet Pipe	: 2"
EOC	: No
TOC	: No
OEM Ref.	: 1003471 / 00010507 / 0010507 / 1948066 / 015635622 / 00115578 / 0115578 / 1102480 / 10014205
Other Ref.	: 239172 / FRE76 / HDC010319PA / 437284P / 310017
Year	: 2007-2023

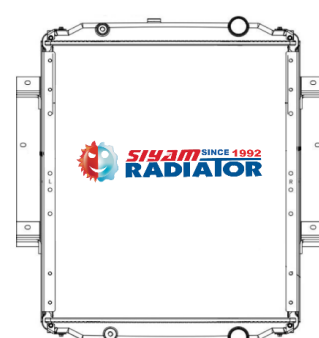
12627-SB P/A



SIYAM SINCE 1992 RADIATOR

Bluebird	A3FE (with Frame)
Core Size	: 29 3/4" x 25 1/8" x 2 3/16"
No. of Rows	: 2
Inlet Pipe	: 2"
Outlet Pipe	: 2"
EOC	: No
TOC	: No
OEM Ref.	: 00115578 / 1003679 / 1040264
Other Ref.	: 239083 / HDC010319PAFB / FRE76FB
Year	: 2007

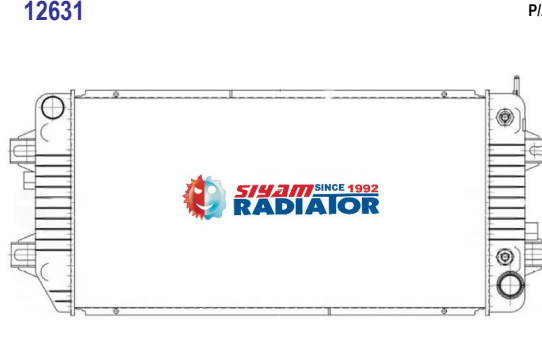
12627-SBF P/A



SIYAM SINCE 1992 RADIATOR

Bluebird	A3FE, D3FE (with Frame)
Core Size	: 29 3/4" x 25 1/8" x 2 3/16"
No. of Rows	: 2
Inlet Pipe	: 2"
Outlet Pipe	: 2"
EOC	: No
TOC	: No
OEM Ref.	: 10014205 / 1003755 / 1040312
Other Ref.	: 239082 / HDC010319PAF / FRE76FA
Year	: 2010

12631 P/A



SIYAM SINCE 1992 RADIATOR

Bluebird / GMC	Microbus w/GM Eng. 6.6L
Core Size	: 34 1/16" x 17 1/4" x 2 3/16"
No. of Rows	: 2
Inlet Pipe	: 2"
Outlet Pipe	: 2"
EOC	: No
TOC	: Yes
OEM Ref.	: 15897982 / 15751216
Other Ref.	: DPI 2935 / 232935
Year	: 2005-2016



COMPLETE RADIATOR FOR BLUEBIRD BUS MODELS

12632 P/A

Bluebird / Ford Microbus w/Ford 3.5L wo/Turbo

Core Size	: 30 15/64" x 18 7/16" x 1"
No. of Rows	: 1
Inlet Pipe	: 2"
Outlet Pipe	: 2"
EOC	: No
TOC	: No
OEM Ref.	: CK4Z8005A / CK4Z8005B
Other Ref.	: DPI 13454 / CR13454
Year	: 2015-2021

12633 P/A

Bluebird / GMC Microbus with GM Engine / Chev Express / GM Savana 3500/4500
Cutaway Van /Bus 4.8/6.0L W/Sensor Hole

Core Size	: 34" x 17 1/4" x 1"
No. of Rows	: 1
Inlet Pipe	: 2"
Outlet Pipe	: 2"
EOC	: Yes
TOC	: Yes
OEM Ref.	: 21761 / 23193133
Other Ref.	: DPI 13476 / 238719
Year	: 2010-2017

12634 P/A

Bluebird / GMC / Freightliner / Thomas Thomas/Freightliner w/4.3L / Bluebird Micro Bird 4.3L GM

Core Size	: 34 1/16" x 13 11/16" x 1 7/16"
No. of Rows	: 2
Inlet Pipe	: 2"
Outlet Pipe	: 2"
EOC	: No
TOC	: No
OEM Ref.	: 84310389
Other Ref.	: DPI 13867
Year	: 2022-2023

12635 P/A

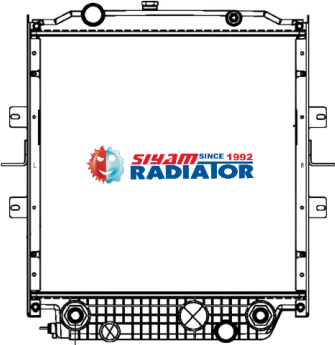
Bluebird Vision w/Cummins ISB

Core Size	: 25" x 25 1/8" x 2 3/16"
No. of Rows	: 2
Inlet Pipe	: 2"
Outlet Pipe	: 2"
EOC	: No
TOC	: Yes
OEM Ref.	: 1102910 / 1102648
Other Ref.	: 238831 / HDC010893PA / 437460P / BLU11
Year	: 2007-2021



COMPLETE RADIATOR FOR BLUEBIRD BUS MODELS

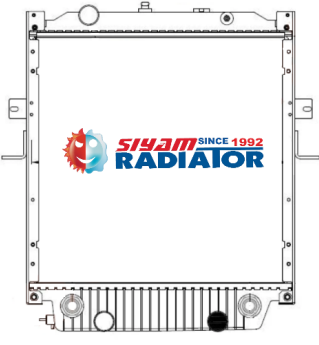
12635-SB P/A



Bluebird Vision w/Cummins ISB / 22 CV w/Ford 6.8 (with Frame)

Core Size	: 25" x 25 1/8" x 2 3/16"
No. of Rows	: 2
Inlet Pipe	: 2"
Outlet Pipe	: 2"
EOC	: No
TOC	: Yes
OEM Ref.	: 1003754
Other Ref.	: 239084 / HDC010893PAF / BLU11F
Year	: 2007-2021

12725-SB P/A



Bluebird CV Bus with Ford engine (with Frame)

Core Size	: 25" x 25 1/8" x 2 3/16"
No. of Rows	: 2
Inlet Pipe	: 2"
Outlet Pipe	: 2"
EOC	: No
TOC	: Yes
OEM Ref.	: 10033724
Other Ref.	: 238907 / BLU14F
Year	: 2016-2022



COMPLETE RADIATOR FOR FREIGHTLINER/THOMAS BUS MODELS

12343 P/A

Freightliner / Thomas FL50, 60, 70, 80, 90, Thomas Bus with Freightliner Chassis

Core Size	: 28 11/16" X 24 5/16" X 1 7/8"
No. of Rows	: 2
Inlet Pipe	: 2"
Outlet Pipe	: 2"
EOC	: No
TOC	: Yes
OEM Ref.	: BHT1AH00110S / 376753311 / A0516058004
Other Ref.	: 239085 / 800010 / HDC010066PA / 437194P / FRE10
Year	: 1997-2004

12348 P/A

Freightliner M2 Bus with Mercedes Engine

Core Size	: 29 5/8" x 26 5/16" x 1 7/8"
No. of Rows	: 2
Inlet Pipe	: 2"
Outlet Pipe	: 2"
EOC	: No
TOC	: Yes
OEM Ref.	: BHTP5926001 / P5926001
Other Ref.	: 238617 / 800066PT / FRE42 / 437267P / HDC010119PA
Year	: 2004-2007

12353 P/A

Freightliner / Thomas FLT / Thomas B2

Core Size	: 29 5/8" X 24 5/16" X 2 3/16"
No. of Rows	: 2
Inlet Pipe	: 2"
Outlet Pipe	: 2"
EOC	: No
TOC	: Yes
OEM Ref.	: VAL1003671A / A0531282001 / 1102431
Other Ref.	: 239173 / 310021PT / 20011721 / 437290P / HDC010318PA / THO04
Year	: 2007-2011

Note: Screw Hole Details for Frame Mounting

12625 P/A

Freightliner / Thomas C2 Bus

Core Size	: 29 5/8" x 25 1/8" x 2 3/16"
No. of Rows	: 2
Inlet Pipe	: 2"
Outlet Pipe	: 2"
EOC	: No
TOC	: Yes
OEM Ref.	: VAB 1102619 / 1102619 / VAB 1102906 / 1003748
Other Ref.	: 238619 / HDC010883PA / 437424P / 310081 / FRE37
Year	: 2010-2017

Note: Pin Hole Details for Frame Mounting



COMPLETE RADIATOR FOR FREIGHTLINER/THOMAS BUS MODELS

12625-SB P/A

Freightliner / Thomas B2/C2 (with Frame)

Core Size	: 29 5/8" X 24 5/16" X 2 3/16"
No. of Rows	: 2
Inlet Pipe	: 2"
Outlet Pipe	: 2"
EOC	: No
TOC	: Yes
OEM Ref.	: 1004036 / 1003748 / 1040293
Other Ref.	: 238740 / 310021 / 20011721 / 437290PF / HDC010883PAF / FRE37F
Year	: 2007-2017

12628 P/A

Freightliner / Thomas EF Cabover Front Engine

Core Size	: 27 1/2" x 25 1/8" x 2 3/16"
No. of Rows	: 2
Inlet Pipe	: 2"
Outlet Pipe	: 2"
EOC	: No
TOC	: No
OEM Ref.	: 1102621 / 1102908 / VAB 1102621 / 10010214
Other Ref.	: 238620 / HDC010892PA / FRE35 / 437459P
Year	: 2007-2017

12628-SB P/A

Freightliner / Thomas EF Cabover Front Engine (with Frame)

Core Size	: 27 1/2" x 25 1/8" x 2 3/16"
No. of Rows	: 2
Inlet Pipe	: 2"
Outlet Pipe	: 2"
EOC	: No
TOC	: No
OEM Ref.	: 1102621 / 1102908 / VAB 1102621 / 10010214
Other Ref.	: 238644 / HDC010892PAF / FRE35F / 437459PF
Year	: 2007-2017

12629 P/A

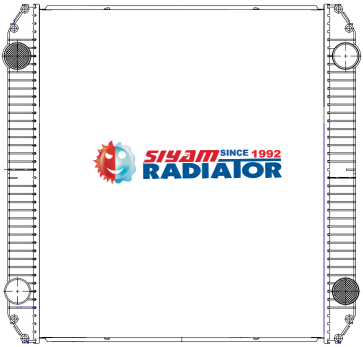
Freightliner / Thomas HDX RE with DD8 engine

Core Size	: 27 1/2" x 31 13/16" x 2 3/16"
No. of Rows	: 2
Inlet Pipe	: 2 1/2"
Outlet Pipe	: 2 1/2"
EOC	: No
TOC	: No
OEM Ref.	: 1102974
Other Ref.	: 238926 / HDC011284PA / FRE155
Year	: 2015+



COMPLETE RADIATOR FOR FREIGHTLINER/THOMAS BUS MODELS

12630 P/A



Freightliner / Thomas Saf-T-	
Core Size	: 27 1/2" x 31 13/16" x 2 3/16"
No. of Rows	: 2
Inlet Pipe	: 2 1/2"
Outlet Pipe	: 2 1/2"
EOC	: No
TOC	: No
OEM Ref.	: VAB1102418 / 1003682 / BHT4482
Other Ref.	: 238621 / 310083 / 437476P / 201RA418 / FRE45
Year	: 2007-2013



COMPLETE RADIATOR FOR INTERNATIONAL BUS MODELS

12397 P/A

International 3000-4600 / Ford F650-F700

Core Size : 20 1/2" X 25 2/16" X 2 3/16"

No. of Rows : 2

Inlet Pipe : 2 1/4"

Outlet Pipe : 2 1/4"

EOC : No

TOC : Yes, Grill side

OEM Ref. : 2504903C91 / 2504903C92 / 2504903C93 / 2505509C93 / 25686048C92

Other Ref. : 238678 / 640012PT / 437389 / 20013531 / SRM6125AT / CVTX61252 / HDC010243PA / 615RA008 / BTC7365 / NAV12

Year : 2002-2007

12535 P/A

International 3800, 4100, 4200, 4300, 4400 / BE and CE Bus / Ford F650, F750

Core Size : 28 4/7" X 24 3/4" X 2 3/16"

No. of Rows : 2

Inlet Pipe : 2 1/4"

Outlet Pipe : 2 1/2"

EOC : No

TOC : Yes

OEM Ref. : 2593282C91 / 2593294C91 / 2593295C91 / 2593295C92 / 3E115120000

Other Ref. : 238639 / 640069PT / 20013534 / HDC010225PA / 437280P / NAV30

Year : 2008-2012

12727-XB P/A

International Navistar Rear Engine Bus

Core Size : 46 x 28 1/4" x 2 3/16"

No. of Rows : 2

Inlet Pipe : 2 9/16"

Outlet Pipe : 2 9/16"

EOC : No

TOC : No

OEM Ref. : 2606517C91

Other Ref. : 238904 / HDC011264PA / NAV78

Year : 2006-2013



SIYAM SINCE 1992
RADIATOR

TO GET COOLER

CONTACT US TODAY

sales@siyam-group.com