

SIYAM SINCE 1992
RADIATOR

CHARGE AIR COOLER FOR MD/HD TRUCKS

CATALOGUE



THE COOLEST
ON THE ROAD



ABOUT SIYAM GROUP

siyamradiators.com

Founded in 1992, Siyam Group, is specialized in developing and manufacturing OE, customized, and aftermarket, core and complete cooling products.

We offer a wide range of copper and aluminum radiators, intercoolers, and condensers for passenger vehicles, trucks, tractors, heavy-duty equipment, Generators, Gen-sets.

We have distinguished ourselves by providing high quality products, with superior services, delivered on-time and at a competitive price. **We are ISO 9001:2015 certified.**

INDEX

CHARGE AIR COOLER FOR MD/HD TRUCKS

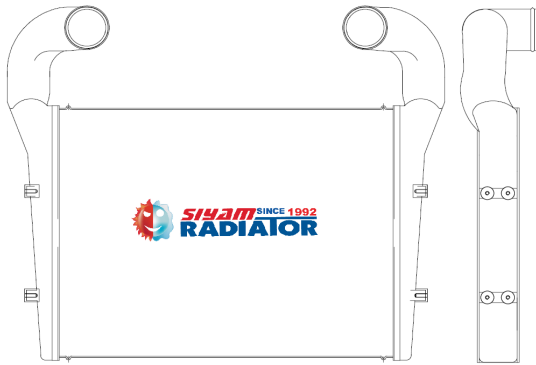
Autocar	04
Ford / Sterling	05 - 06
Freightliner	07 - 15
GMC	16
Hino	17
International	18 - 24
Kenworth	25 - 29
Mack	30 - 34
Peterbilt	35 - 40
Thomas	41
Volvo	42 - 44
Western Star	45 - 46



CHARGE AIR COOLER FOR AUTOCAR MODELS MD/HD TRUCKS

IC059

CAC



Autocar	Volvo WX Sanitation Trucks / Autocar Xpeditor
Core Size	: 27 5/8" X 21 1/2" X 2 13/16"
Construction	: Tube & Fin, Powder Coated
Inlet Pipe	: 3 1/2"
Outlet Pipe	: 3 1/2"
OEM Ref.	: A2000099001 / A2190143001 / 1030380 / 1030380C / A2000063001
Other Ref.	: 222251 / HDH010592 / CAC453 / VOL18825N / 374130S / 441316 / FLX010634 / SRMVOL30N / 4401-4801
Year	: 2003-2014



CHARGE AIR COOLER FOR FORD MODELS MD/HD TRUCKS

IC030

CAC

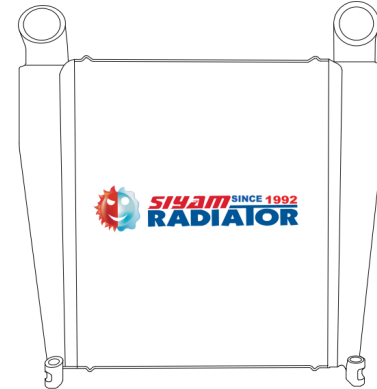


Ford / Sterling Sterling

Core Size	: 35 5/16" X 26 1/4" X 2 3/16"
Construction	: Tube & Fin, Powder Coated
Inlet Pipe	: 4 1/2"
Outlet Pipe	: 4"
OEM Ref.	: 1040118 / 1050054 / 1050055 / F7HT8009BE / F7HT8009CE / F7HZ6K775AA / F7HZ6K775BA / F8HT8009TA
Other Ref.	: 222024 / HDH010296 / CAC128D / FOR19016 / FLX010111 / SRMFOR25M / 4401-1522
Year	: 1996-2001

IC063

CAC



Ford / Case

Core Size	: 14 3/4" x 17 7/8" x 2 3/4"
Construction	: Tube & Fin, Powder Coated
Inlet Pipe	: 2 1/2"
Outlet Pipe	: 2 1/2"
OEM Ref.	: 82028450
Other Ref.	: 222283
Year	:

IC096

CAC



Ford / Sterling L-Series

Core Size	: 35 1/4" x 27 1/4" x 2 1/4"
Construction	: Tube & Fin, Powder Coated
Inlet Pipe	: 4 1/2"
Outlet Pipe	: 4"
OEM Ref.	: 1030098 / 1030128 / 1030227 / 1040002 / 1040003 / 1040024 / 1040025 / 1040063 / 1040111 / 1040142 / 1050052 / 1050053 / F4HZ6K775GA
Other Ref.	: 222023 / HDH010222 / 4401-1518 / 441182 / CAC128C / FOR19013 / FLX010112
Year	: 1994-2001

IC137

CAC



Ford / Sterling L9000 Series

Core Size	: 35 1/4" x 33 1/8" x 2 1/4"
Construction	: Tube & Fin, Powder Coated
Inlet Pipe	: 4 1/2"
Outlet Pipe	: 4"
OEM Ref.	: 1030097 / 1030226 / 1030247 / F6HZ6K775JA / VAB1020226 / VAB1030226
Other Ref.	: 222026 / 441226 / HDH010299 / FOR19014 / FLX010113 / 4401-1517 / CAC128F
Year	: 1996-2001



CHARGE AIR COOLER FOR FORD MODELS MD/HD TRUCKS

IC142

CAC

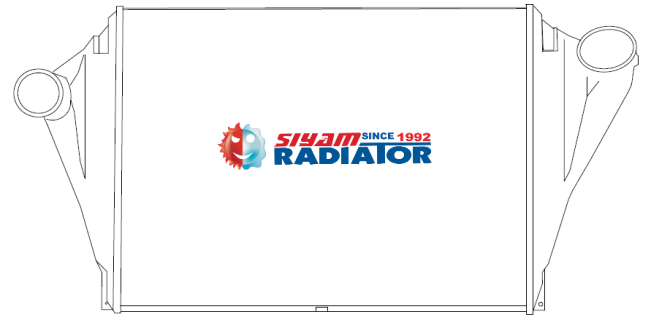


Ford / Sterling LTL8000, LTL9000, Aeromax Series

Core Size	: 39 3/8" x 26 3/8" x 1 5/8"
Construction	: Tube & Fin, Powder Coated
Inlet Pipe	: 4 1/2"
Outlet Pipe	: 4"
OEM Ref.	: 1003275 / 1E3246 / 1E3396 / 1E3436 / 1E3507 / 1E3539 / 1E3708 / 1E3709 / 1E3710 / 1E3712 / 200500 / 200520 / 200521 / 200597
Other Ref.	: 222015 / CAC126 / HDH010217 / 4401-1501 / 44011501 / FOR19001
Year	: 1989-1994

IC143

CAC



Ford / Sterling L9000, LA9000, LN9000, LT9000

Core Size	: 35 1/4" x 27 1/4" x 2 1/4"
Construction	: Tube & Fin, Powder Coated
Inlet Pipe	: 4 1/2"
Outlet Pipe	: 4"
OEM Ref.	: 011288L / 016444L / 0447552L / 1003241 / 1003251 / 1003254 / 1003265 / 100327 / 1003271 / 1003273 / 1003281 / 1003371 / 1003372 / 1003373
Other Ref.	: 222016 / 441176 / CAC126B / HDH010218 / 4401-1504 / FOR19009
Year	: 1995-2000



CHARGE AIR COOLER FOR FREIGHTLINER MODELS MD/HD TRUCKS

IC031 CAC

Freightliner	FLD 120, 132 with cummins M11, N14, CAT 3406, C10, C12, Detroit Series 60 Engines
Core Size	: 30 1/2" X 21" X 2 1/2"
Construction	: Tube & Fin, Powder Coated
Inlet Pipe	: 4"
Outlet Pipe	: 4"
OEM Ref.	: 12120234 / 123132000 / 123132001 / 123547000 / 20117V9729 / 4856120001 / 4856125001 / 4856125002 / 4863900001 / 4863905001 / 85103364
Other Ref.	: 222032 / HDH010194 / 4401-1725 / 441107 / CAC105B / FRT18106 / FLX010205 / SRMFR2C
Year	: 1992-1998

IC031BP CAC

Freightliner	FLD 120, 132 with cummins M11, N14, CAT 3406, C10, C12, Detroit Series 60 Engines
Core Size	: 30 1/2" X 21" X 2 1/2"
Construction	: Bar & Plate, Powder Coated
Inlet Pipe	: 4"
Outlet Pipe	: 4"
OEM Ref.	: 12120234 / 123132000 / 123132001 / 123547000 / 20117V9729 / 4856120001 / 4856125001 / 4856125002 / 4863900001 / 4863905001 / 85103364
Other Ref.	: HDH010194BP
Year	: 1992-1998

IC032 CAC

Freightliner	CL Series Columbia with M11 Cummins / Cat3176 / N14 Cummins
Core Size	: 36 7/8" X 26 1/4" X 2 1/4"
Construction	: Tube & Fin, Powder Coated
Inlet Pipe	: 4"
Outlet Pipe	: 4"
OEM Ref.	: A0519502000 / A0519502001 / 2AA00111 / 72102 / B8673 / BHT2AA00111 / BHT8673 / BHTB5434 / BHTB8673 / BHTD3521 / BHTD3522
Other Ref.	: 222159 / HDH010246 / FRT18119 / CAC107H / 4401-1707 / FLX010218 / SRMFR5QS
Year	: 2004-2007

IC032BP CAC

Freightliner	CL Series Columbia with M11 Cummins / Cat3176 / N14 Cummins
Core Size	: 36 7/8" X 26 1/4" X 2 1/4"
Construction	: Bar & Plate, Powder Coated
Inlet Pipe	: 4"
Outlet Pipe	: 4"
OEM Ref.	: A0519502000 / A0519502001 / 2AA00111 / 72102 / B8673 / BHT2AA00111 / BHT8673 / BHTB5434 / BHTB8673 / BHTD3521 / BHTD3522 / BHTD9582 /
Other Ref.	: HDH010246BP
Year	: 2004-2007



CHARGE AIR COOLER FOR FREIGHTLINER MODELS MD/HD TRUCKS

IC033 CAC

Freightliner / Sterling	CL Series Columbia, Century, M2 112
Core Size	: 37" X 26 1/4" X 1 15/16"
Construction	: Tube & Fin, Powder Coated
Inlet Pipe	: 4"
Outlet Pipe	: 4"
OEM Ref.	: A0519870001 / A0519870002 / A0519870003 / A0519870011 / BHT59279 / BHTA3562 / BHTD3523
Other Ref.	: 222194 / HDH010244 / 441237 / 4401-1715 / CAC107F / FRT18122 / FLX010219 / SRMFR5T
Year	: 2004-2007

IC033BP CAC

Freightliner / Sterling	CL Series Columbia, Century, M2 112
Core Size	: 37" X 26 1/4" X 1 15/16"
Construction	: Bar & Plate, Powder Coated
Inlet Pipe	: 4"
Outlet Pipe	: 4"
OEM Ref.	: A0519870001 / A0519870002 / A0519870003 / A0519870011 / BHT59279 / BHTA3562 / BHTD3523
Other Ref.	: HDH010244BP
Year	: 2004-2007

IC034 CAC

Freightliner	Cascadia, Columbia, Century / Western Star 4900EX, FA, SA
Core Size	: 34 11/13" X 32 1/2" X 2 1/2"
Construction	: Tube & Fin, Powder Coated
Inlet Pipe	: 4"
Outlet Pipe	: 4"
OEM Ref.	: 0130457000 / 0130457002 / A0527743010 / A0527743011 / A0527745026 / A0525301002 / 130358000 / 131241000 / 131241002
Other Ref.	: 222235 / HDH010551 / FRT18127 / 441240 / 4401-1719 / CAC354 / FLX010243 / SRMFR6L
Year	: 2008-2013

IC034BP CAC

Freightliner	Cascadia, Columbia, Century / Western Star 4900EX, FA, SA
Core Size	: 34 11/13" X 32 1/2" X 2 1/2"
Construction	: Bar & Plate, Powder Coated
Inlet Pipe	: 4"
Outlet Pipe	: 4"
OEM Ref.	: 0130457000 / 0130457002 / A0527743010 / A0527743011 / A0527745026 / A0525301002 / 130358000 / 131241000 / 131241002 / 163241000 /
Other Ref.	: HDH010551BP
Year	: 2008-2013



CHARGE AIR COOLER FOR FREIGHTLINER MODELS MD/HD TRUCKS

IC035 CAC

Freightliner M2 112 X12 / DD13, Cascadia, Columbia, Century / Western Star 5700, 4700SF DD13, 4900EX, FA, SA

Core Size	: 34 3/4" X 26" X 2 1/2"
Construction	: Tube & Fin, Powder Coated
Inlet Pipe	: 4"
Outlet Pipe	: 4"
OEM Ref.	: E0118500001 / 3S118501 / 3E011850001 / 0131242002 / 3S0139230001 / 3S0137530001 / 3E0137530001 / A0527743000 / A0527743001 / A0527743004
Other Ref.	: 222263 / HDH010571 / BHTD9454 / FRT18132 / 4401-1728 / CAC399 / FLX010244 / SRMFR6E / 441283
Year	: 2008-2022

IC035BP CAC

Freightliner M2 112 X12 / DD13, Cascadia, Columbia, Century / Western Star 5700, 4700SF DD13, 4900EX, FA, SA

Core Size	: 34 3/4" X 26" X 2 1/2"
Construction	: Bar & Plate, Powder Coated
Inlet Pipe	: 4"
Outlet Pipe	: 4"
OEM Ref.	: E0118500001 / 3S118501 / 3E011850001 / 0131242002 / 3S0139230001 / 3S0137530001 / 3E0137530001 / A0527743000 / A0527743001 / A0527743004
Other Ref.	: HDH010571BP
Year	: 2008-2022

IC036 CAC

Freightliner / Sterling M2 / FL50-80 / American Lafrance / MM / Sterling Acterra Q Model

Core Size	: 26 1/4" X 27 1/4" X 1 15/16"
Construction	: Tube & Fin, Powder Coated
Inlet Pipe	: 3 1/2"
Outlet Pipe	: 3 1/2"
OEM Ref.	: BHTD6168 / F6168 / D6168 / BHTD6169 / D6169 / BHTE2714 / E2714 / BHTE8275 / E8275 / BHTE8286
Other Ref.	: 222289 / HDH010564 / CAC290 / 441290 / FRT18136 / 4401-1738
Year	: 2003-2007

IC064 CAC

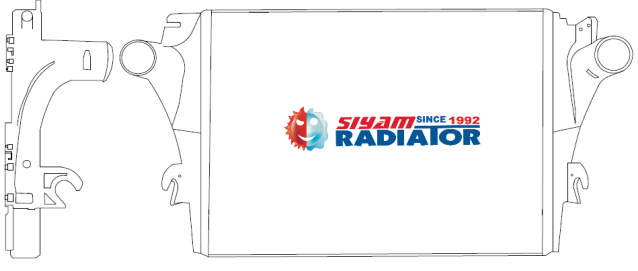
Freightliner Cascadia / Western Star 57X

Core Size	: 36 1/2" x 26 1/2" x 2"
Construction	: Tube & Fin, Powder Coated
Inlet Pipe	: 4"
Outlet Pipe	: 4"
OEM Ref.	: 1030486 / 1030486A / 1030523 / 1030523A / 22769527
Other Ref.	: 222378 / HDH010808 / FRT18149 / 441364 / CAC534
Year	: 2018-2024



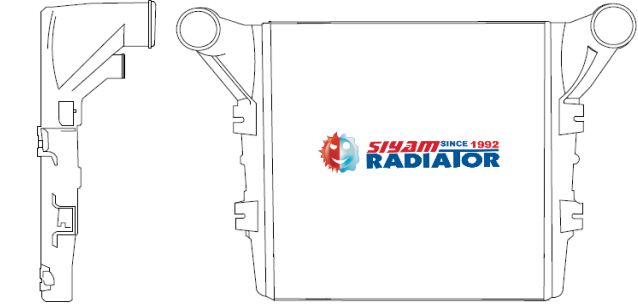
CHARGE AIR COOLER FOR FREIGHTLINER MODELS MD/HD TRUCKS

IC068 CAC




Freightliner	M2 106 DD8 (Garbage Truck), M2 106 DD5, M2 106 ISC, M2 112
Core Size	: 28 5/8" x 21 1/2" x 2"
Construction	: Tube & Fin, Powder Coated
Inlet Pipe	: 3"
Outlet Pipe	: 3"
OEM Ref.	: 0132211000 / 132211000 / A0528482000 / A0530693000 / A0530693001 / A0530696000 / A0530696001 / BHTV9469100 / 2226963 / 2226964 /
Other Ref.	: 222279 / HDH010596 / CAC379 / 441292 / 4401-1729 / FRT18141
Year	: 2008-2022

IC069 CAC




Freightliner	MT Line / BlueBird Vision
Core Size	: 24" x 25 1/8" x 2 1/4"
Construction	: Tube & Fin, Powder Coated
Inlet Pipe	: 3 1/2"
Outlet Pipe	: 3 1/2"
OEM Ref.	: 115575 / VAB1030356 / VAB1030353 / 1030353 / 1SA00305R / 00115575 / 0115575 / 10010215 / VAB1030351A / VAB1030348 / 1030293 / B5575
Other Ref.	: 222248 / HDH010575 / CAC454 / FRT18138 / 441228 / FLX010240 / SRMFR5X / 4401-1731
Year	: 2007-2012

IC074 CAC



Freightliner	M2 106 L9
Core Size	: 28 5/8" x 21 1/2" x 2"
Construction	: Tube & Fin, Powder Coated
Inlet Pipe	: 3"
Outlet Pipe	: 3"
OEM Ref.	: 0133030000 / 10230958 / 10230959 / BHTCE257001 / CE257001 / CHS25 / CM01P5239001 / P5239001
Other Ref.	: 222290 / HDH010697 / 441293 / CAC495 / FRT18144
Year	: 2014-2024

IC077 CAC



Freightliner	M2 / M2 106 ISB
Core Size	: 28 3/4" x 21 5/8" x 2"
Construction	: Tube & Fin, Powder Coated
Inlet Pipe	: 3"
Outlet Pipe	: 3"
OEM Ref.	: A0525423004 / BHTP4662100 / 0130513000 / 01-30513-000
Other Ref.	: 222322 / HDH010578 / CAC471 / FRT18139 / 441328 / 4401-1720
Year	: 2007-2011



CHARGE AIR COOLER FOR FREIGHTLINER MODELS MD/HD TRUCKS

IC078 CAC

Freightliner 114SD DD13 / 122SD, DD13 / Western Star 4900 / 4900EX DD16

Core Size : 37 7/8" x 25 1/2" x 2 1/2"

Construction : Tube & Fin, Powder Coated

Inlet Pipe : 4"

Outlet Pipe : 4"

OEM Ref. : 0131242001 / A0525255000 / A0525503000 / / A0526860000 / A0526860001 / A0526860002 / A0526860003 / A0526863000 / A0526863004 /

Other Ref. : 222310 / HDH010579 / CAC472 / FRT18142 / 4401-1730 / 441296

Year : 2008-2022

IC078BP CAC

Freightliner 114SD DD13 / 122SD, DD13 / Western Star 4900 / 4900EX DD16

Core Size : 37 7/8" x 25 1/2" x 2 1/2"

Construction : Bar & Plate, Powder Coated

Inlet Pipe : 4"

Outlet Pipe : 4"

OEM Ref. : 0131242001 / A0525255000 / A0525503000 / / A0526860000 / A0526860001 / A0526860002 / A0526860003 / A0526863000 / A0526863004 /

Other Ref. : HDH010579BP

Year : 2008-2022

IC079 CAC

Freightliner M2-106 / Sterling Acterra Model Q

Core Size : 28 3/4" x 23 7/8" x 2"

Construction : Tube & Fin, Powder Coated

Inlet Pipe : 3"

Outlet Pipe : 3"

OEM Ref. : 0130514000 / 130514000 / A0525424005 / A0525424007 / A0525424009 / A0525424012 / A0525424013 / A0525424015 / P4665100

Other Ref. : 222277 / HDH010577 / CAC470 / FRT18140 / 441294 / 4401-1734

Year : 2008-2013

IC087 CAC

Freightliner CL Series Columbia w/Detroit Series 60

Core Size : 38 3/4" x 26 7/16" x 2 1/4"

Construction : Tube & Fin, Powder Coated

Inlet Pipe : 4"

Outlet Pipe : 4"

OEM Ref. : BHT75716 / BHT75717 / BHT9576 / BHTB4971 / BHTB4979 / BHTD3526 / C2267 / B498001 / BH98001 / B4979 / BHTC2267 / BHTB498001


Other Ref. : 222247 / HDH010247 / CAC1071 / FRT18133 / 441238 / FLX010221 / SRMFR5V / 4401-1726

Year : 2004-2008




CHARGE AIR COOLER FOR FREIGHTLINER MODELS MD/HD TRUCKS

IC087BP CAC



Freightliner	CL Series Columbia w/Detroit Series 60
Core Size	: 38 3/4" x 26 7/16" x 2 1/4"
Construction	: Bar & Plate, Powder Coated
Inlet Pipe	: 4"
Outlet Pipe	: 4"
OEM Ref.	: BHT75716 / BHT75717 / BHT9576 / BHTB4971 / BHTB4979 / BHTD3526 / C2267 / B498001 / BH98001 / B4979 / BHTC2267 / BHTB498001
Other Ref.	: HDH010247BP
Year	: 2004-2008

IC094 CAC




Freightliner	CL Series Columbia/Century
Core Size	: 36 15/16" x 26 1/2" x 2 1/4"
Construction	: Tube & Fin, Powder Coated
Inlet Pipe	: 4"
Outlet Pipe	: 4"
OEM Ref.	: 1AA00111 / 1AA00111S / 1SA00207R / 1SA00209R / 1SA00210R / 1SA00211R / 2AM00062 / 68924 / 72101 / A0519502000 / A0519502002
Other Ref.	: HDH010243 / C2869 / CAC107EH / 441139 / 4401-1709
Year	: 1997-2007

IC099 CAC



Freightliner	114SD L9 / M2 112
Core Size	: 36 7/8" x 19" x 2"
Construction	: Tube & Fin, Powder Coated
Inlet Pipe	: 3"
Outlet Pipe	: 3"
OEM Ref.	: 0132338002 / 01-32338-002 / 0132338000 / 01-32338-000
Other Ref.	: 222347 / HDH010786 / CAC494
Year	: 2014-2022

IC138 CAC

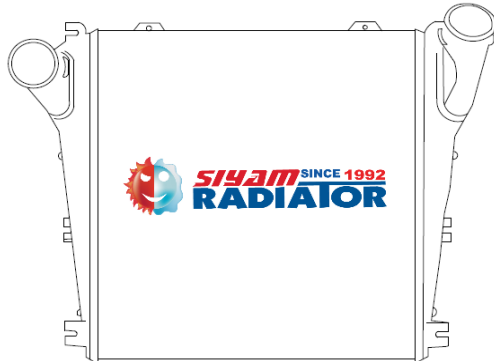


Freightliner	M2
Core Size	: 27 1/2" x 14" x 2 3/8"
Construction	: Tube & Fin, Powder Coated
Inlet Pipe	: 3 1/2"
Outlet Pipe	: 3 1/2"
OEM Ref.	: BHTD3032 / BHT80296 / BHTE2638 / E2638 / D3032 / BHTB6740 / B6740 / BHT94042 / BHT94041 / BHT802296
Other Ref.	: 222245 / HDH010535 / CAC391 / 441337 / FLX010237 / FRT18131 / 4401-1721
Year	: 2004-2007



CHARGE AIR COOLER FOR FREIGHTLINER MODELS MD/HD TRUCKS


IC139 CAC



Freightliner / Sterling FL50, FL60, FL70, FL80, FS65, Acterra

Core Size	: 25" x 27 1/4" x 1 5/8"
Construction	: Tube & Fin, Powder Coated
Inlet Pipe	: 3 1/2"
Outlet Pipe	: 3 1/2"
OEM Ref.	: 12330002 / 1233002 / 1SA000795SYS / 1SA00128SYS / 1SA00170R / 1SA00170SYS / 1SA00230R / 1SA00243R / 1SA00263R / 1SA00274R
Other Ref.	: 222155 / CAC109D / HDH010252 / 441152 / 4401-1712 / FRT18114 / FLX010214
Year	: 1998-2008


IC141 CAC



Freightliner FLD112, FLD112, FL112 Series

Core Size	: 36 7/8" x 21 1/4" x 2 1/4"
Construction	: Tube & Fin, Powder Coated
Inlet Pipe	: 4"
Outlet Pipe	: 4"
OEM Ref.	: 4858000001 / 4858000002 / 4858000003 / 4858000007 / 4858005002 / 4858005003 / 6805010101 / 6805010401
Other Ref.	: 222036 / HDH010195 / 441113 / 4401-1701 / CAC107 / FRT18110 / FLX010207
Year	: 1992-1998


IC144 CAC



Freightliner FLD120, FLD132

Core Size	: 30 1/2" x 21 1/4" x 2 3/4"
Construction	: Tube & Fin, Powder Coated
Inlet Pipe	: 4"
Outlet Pipe	: 4"
OEM Ref.	: 121388 / 121388000 / 121388001 / 121388002 / 123205000 / 20017V9728 / 4580000001 / 45800001 / 4584201 / 4853000002 / 4854200001 / 485420002
Other Ref.	: 222031 / 441101 / CAC105 / 4401-1702 / HDH010193 / FRT18105 / FLX010204
Year	: 1992-1998

IC150 CAC




Freightliner Columbia 120 Series

Core Size	: 36 7/8" x 21 1/4" x 2 1/4"
Construction	: Tube & Fin, Powder Coated
Inlet Pipe	: 4"
Outlet Pipe	: 4"
OEM Ref.	: 123345000 / 4867200001 / 4867205001 / BHTD3043 / BHTM7039001 / 7039001 / 01-23345-000 / 0123345000
Other Ref.	: 222249 / HDH010198 / 44011724 / CAC107D / FRT18135 / 441295 / FLX010241
Year	: 1997-2004




CHARGE AIR COOLER FOR FREIGHTLINER MODELS MD/HD TRUCKS

IC154 CAC



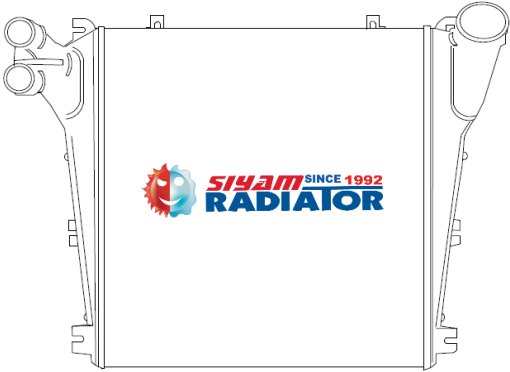
Freightliner	FL106, FL112
Core Size	: 25 1/4" x 31 1/8" x 2"
Construction	: Tube & Fin, Powder Coated
Inlet Pipe	: 4"
Outlet Pipe	: 4"
OEM Ref.	: 1AA000438 / 1SA000128SYS / 1SA00079 / 1SA00079SYS / 1SA00128 / 2AA00043 / 2AA0043 / 2AA0043CAC / 893838 / A0516010000 / B2121
Other Ref.	: 222042 / FRT18112 / 441150 / HDH010250 / CAC109 / FLX010209 / 4401-1733
Year	: 1998-2005

IC158 CAC




Freightliner	FL50, FL60, FL70, FL80
Core Size	: 25" x 27 1/4" x 2"
Construction	: Tube & Fin, Powder Coated
Inlet Pipe	: 3 1/2"
Outlet Pipe	: 3 1/2"
OEM Ref.	: 1SA00102SYS / 1SA00103SYS / 1SA00105R / 1SA00130R / 1SA00177R / 1SA001788 / 1SA00179R / 1SA00180R / 1SA00192R / 2AA00001
Other Ref.	: 222043 / HDH010251 / 4401-1714 / CAC109B / FRT18113
Year	: 1998-2005

IC164 CAC



Freightliner	FL50, FL60, FL70, FL80
Core Size	: 25" x 27 1/4" x 1 5/8"
Construction	: Tube & Fin, Powder Coated
Inlet Pipe	: 2"
Outlet Pipe	: 3 1/2"
OEM Ref.	: 123330000 / 1SA00156 / 1SA00156R / 1SA00201R / 2A00063 / 2AA00063 / A0516059002 / A0516059003 / A0517325000
Other Ref.	: 222041 / CAC108B / HDH010249 / FRT18126 / 441149 / 4401-1737 / FLX010211
Year	: 1998-2005

IC165 CAC



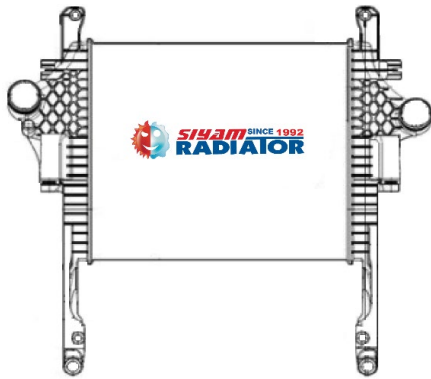
Freightliner	108SD, 114SD, M2
Core Size	: 42 11/16" x 21 9/16" x 1 15/16"
Construction	: Tube & Fin, Powder Coated
Inlet Pipe	: 3"
Outlet Pipe	: 3"
OEM Ref.	: 01-32351-000 / 0132351000
Other Ref.	: 222395 / HDH010820 / CAC476
Year	: 2014-2021



CHARGE AIR COOLER FOR FREIGHTLINER MODELS MD/HD TRUCKS

IC171

CAC



Freightliner	M2
Core Size	: 23 5/8" x 21" x 2"
Construction	: Tube & Fin, Powder Coated
Inlet Pipe	: 3"
Outlet Pipe	: 3"
OEM Ref.	: 1030482 / TXE1030482C / 1040580A / 1040581A / 1040582A / 1040583A / 1050505C / 1050506C / 1050634C / 1050635C
Other Ref.	: 222390 / HDH010814 / CAC543
Year	: 2018-2021



CHARGE AIR COOLER FOR GMC MODELS MD/HD TRUCKS

IC090

CAC



GMC	C6500-8500
Core Size	: 43" x 18 5/8" x 1 5/8"
Construction	: Tube & Fin, Powder Coated
Inlet Pipe	: 3"
Outlet Pipe	: 3"
OEM Ref.	: 15752110 / 15843438 / 15843436
Other Ref.	: 222286 / HDH010568 / CAC364 / GMC15809 / FLX010809 / 441320
Year	: 2004-2007



CHARGE AIR COOLER FOR HINO MODELS MD/HD TRUCKS

IC169

CAC



Hino	338
Core Size	: 23 1/4" x 17 7/8" x 2 1/2"
Construction	: Tube & Fin, Powder Coated
Inlet Pipe	: 3 1/4"
Outlet Pipe	: 3 1/4"
OEM Ref.	: 17940E0530 / HN0530
Other Ref.	: 222381 / CAC407 / HDH010799
Year	: 2012-2014

IC170

CAC



Hino	145, 165, 185, 238, 258, 268, 308, 338
Core Size	: 23 1/4" x 17 7/8" x 2 1/2"
Construction	: Tube & Fin, Powder Coated
Inlet Pipe	: 3 1/4"
Outlet Pipe	: 3 1/4"
OEM Ref.	: S243002250 / HN2250
Other Ref.	: 222324 / 441330 / HDH010789 / 4401-2001 / CAC406
Year	: 2005-2008



CHARGE AIR COOLER FOR INTERNATIONAL MODELS MD/HD

IC037

CAC



International	Navistar 8200, 9100, 9100I Eagle, 9200, 9200I Eagle, 9400, 9400I, 9900, 9900I, 9900IX
Core Size	: 41" X 24 12/16" X 1 15/16"
Construction	: Tube & Fin, Powder Coated
Inlet Pipe	: 4"
Outlet Pipe	: 4"
OEM Ref.	: 698844C1 / 1E3594 / 1E3595 / 1S3595 / 2004399C1 / 2005432C1 / 2005432C91 / 272469 / 85103373 / 3503889C91 / 3503890C91 / 3503891C91
Other Ref.	: 222052 / HDH010225 / 4401-3501 / 441115 / CAC134 / NAV16409 / FLX010713 / SRMIHC9B
Year	: 1994-2006

IC037BP

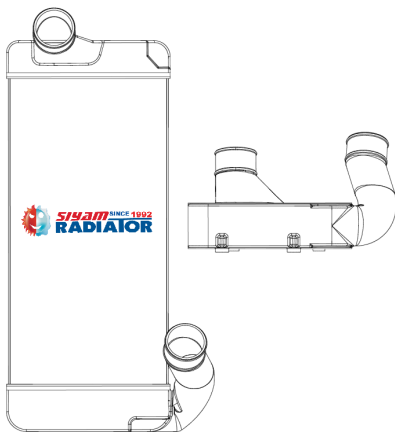
CAC



International	Navistar 8200, 9100, 9100I Eagle, 9200, 9200I Eagle, 9400, 9400I, 9900, 9900I, 9900IX
Core Size	: 41" X 24 12/16" X 1 15/16"
Construction	: Bar & Plate, Powder Coated
Inlet Pipe	: 4"
Outlet Pipe	: 4"
OEM Ref.	: 698844C1 / 1E3594 / 1E3595 / 1S3595 / 2004399C1 / 2005432C1 / 2005432C91 / 272469 / 85103373 / 3503889C91 / 3503890C91 / 3503891C91
Other Ref.	: 222052 / HDH010225 / 4401-3501 / 441115 / CAC134 / NAV16409 / FLX010713 / SRMIHC9B
Year	: 1994-2006

IC038

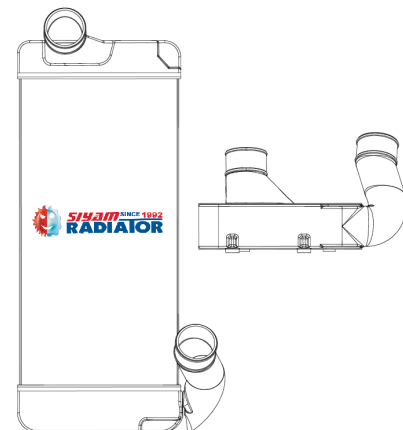
CAC



International	Navistar I-Series 8600, 9400, 9900, 9400I, 9900I, 9900IX
Core Size	: 30 1/4" X 15 7/8" X 4"
Construction	: Tube & Fin, Powder Coated
Inlet Pipe	: 4"
Outlet Pipe	: 4"
OEM Ref.	: 1N180029 / 1N180029G / 1E5651 / 1S5302 / 2504855C1 / 2508455C1 / 2588400C91 / 3E10012 / 3E9738 / 2585977C1 / 2587178C91
Other Ref.	: 222192 / HDH010311 / 4401-3508 / CAC137 / NAV16417R / 441265 / FLX010725 / SRMIHC6D
Year	: 2003-2006

IC038BP

CAC



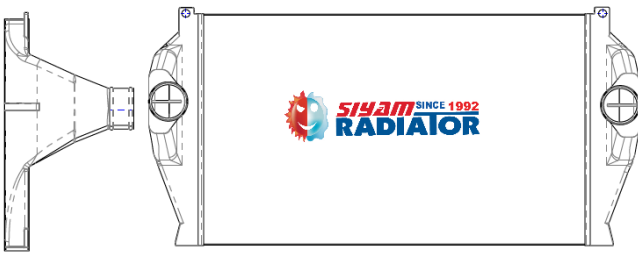
International	Navistar I-Series 8600, 9400, 9900, 9400I, 9900I, 9900IX
Core Size	: 30 1/4" X 15 7/8" X 4"
Construction	: Bar & Plate, Powder Coated
Inlet Pipe	: 4"
Outlet Pipe	: 4"
OEM Ref.	: 1N180029 / 1N180029G / 1E5651 / 1S5302 / 2504855C1 / 2508455C1 / 2588400C91 / 3E10012 / 3E9738 / 2585977C1 / 2587178C91
Other Ref.	: HDH010311BP
Year	: 2003-2006



CHARGE AIR COOLER FOR INTERNATIONAL MODELS MD/HD

IC039

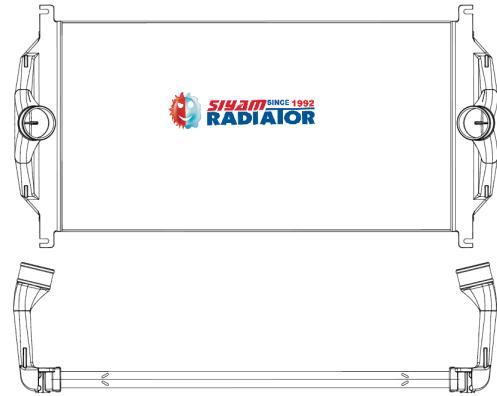
CAC



International	Navistar 8200, 9100, 9900
Core Size	: 41" X 24 5/8" X 1 1/2"
Construction	: Tube & Fin, Powder Coated
Inlet Pipe	: 4"
Outlet Pipe	: 4"
OEM Ref.	: 1N180070 / 1N180078 / 1N180078G / 1E5613 / 1S5128 / 2587235C1 / 2508432C1 / 1E5613 / 1S5128 / 3589553F92 / 3589553F91 / 2587236C92
Other Ref.	: 222232 / HDH010306 / CAC134A / NAV16425R / FLP010729 / SRMIHC9L / 441264 / 4401-3519
Year	: 1994-2006

IC040

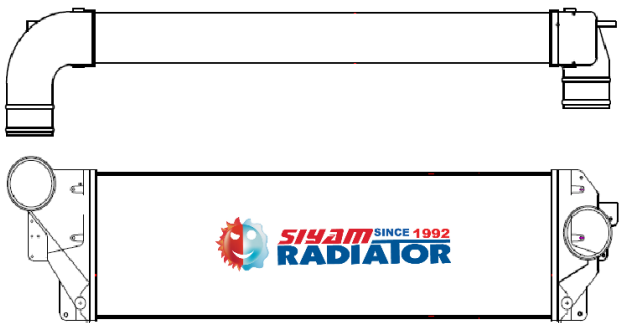
CAC



International	Navistar 7300, 7400, 7600, 7000
Core Size	: 46 5/8" X 24 3/4" X 2"
Construction	: Tube & Fin, Powder Coated
Inlet Pipe	: 4"
Outlet Pipe	: 4"
OEM Ref.	: 1E0059510000 / 1E5951 / 1E5997 / 1N180152 / 1N180194 / 1N180200 / 1N180201 / 1N180205, 1N180217 / 1S0059510000 / 1S1801330000
Other Ref.	: 222292 / HDH010585 / CAC348 / 441307 / FLX010734 / SRMIHC7H / 4401-3517
Year	: 2007-2013

IC041

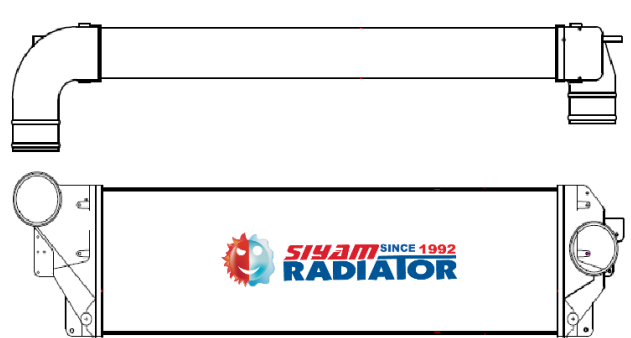
CAC



International	Navistar 5500i, 5600i, 5900i, 8600 Trans Star, Eagle 9100i, 9200i, 9400i, 9900i
Core Size	: 39 3/4" X 11 5/8" X 4"
Construction	: Tube & Fin, Powder Coated
Inlet Pipe	: 4"
Outlet Pipe	: 4"
OEM Ref.	: 2591552C91 / 2591552C92 / 2591552C93 / 2591553C91 / 1E5936
Other Ref.	: 222270 / HDH010517 / CAC342 / NAV16421N / FLX010733 / SRMIHC7G / 4401-3511 / 441305
Year	: 2007-2011

IC041BP

CAC



International	Navistar 5500i, 5600i, 5900i, 8600 Trans Star, Eagle 9100i, 9200i, 9400i, 9900i
Core Size	: 39 3/4" X 11 5/8" X 4"
Construction	: Bar & Plate, Powder Coated
Inlet Pipe	: 4"
Outlet Pipe	: 4"
OEM Ref.	: 2591552C91 / 2591552C92 / 2591552C93 / 2591553C91 / 1E5936
Other Ref.	: HDH010517BP
Year	: 2007-2011



CHARGE AIR COOLER FOR INTERNATIONAL MODELS MD/HD

IC075

CAC



International	International Navistar MV B6.7, BE, CE, HC Bus, 4300, 4400, 3200, 3300 / Ford F650, 750
Core Size	: 33" x 9 5/8" x 4 3/8"
Construction	: Tube & Fin, Powder Coated
Inlet Pipe	: 3 1/2"
Outlet Pipe	: 3 1/2"
OEM Ref.	: 1E0059530000 / 2613050C91 / 2593284C91
Other Ref.	: 222278 / HDH010699 / CAC343 / CAC436 / 441302 / 4401-3512 / NAV16434
Year	: 2010-2019

IC076

CAC



International	Navistar RH A26, LT, RH X15, HX ISX15, HX A26, HV A26
Core Size	: 37 1/8" x 21 5/8" x 2"
Construction	: Tube & Fin, Powder Coated
Inlet Pipe	: 3 1/2"
Outlet Pipe	: 3 1/2"
OEM Ref.	: 2516097C91 / 2518689C91
Other Ref.	: 222372 / CAC531
Year	: 2017-2022

IC080

CAC



International	Navistar Prostar
Core Size	: 36 1/2" x 20 3/8" x 2"
Construction	: Tube & Fin Powder Coated
Inlet Pipe	: 3"
Outlet Pipe	: 4"
OEM Ref.	: 2604296C91
Other Ref.	: 222268 / HDH010692 / CAC437 / NAV16430
Year	: 2010-2016

IC097

CAC




International	5000 Series
Core Size	: 25 7/16" x 18 3/8" x 4 3/8"
Construction	: Tube & Fin Powder Coated
Inlet Pipe	: 4"
Outlet Pipe	: 4"
OEM Ref.	: 1N180035 / 1S0052660000 / 1S180035 / 1S180056 / 1S5266D / 2509896C1 / 2509893C91 / 2509894C91 / 3570333F91 / 3580041F91 / 1E5266
Other Ref.	: 222265 / HDH010586 / 37416F / NAV16420 / 4401-3518 / CAC335
Year	: 2003-2008




CHARGE AIR COOLER FOR INTERNATIONAL MODELS MD/HD

IC098 CAC



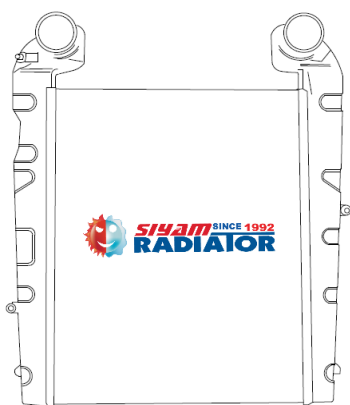
International	Navistar WorkStar 7600 / 7700-CAC Grill Side
Core Size	: 42 1/2" x 23 3/4" x 2 1/4"
Construction	: Tube & Fin Powder Coated
Inlet Pipe	: 4"
Outlet Pipe	: 3 1/2"
OEM Ref.	: 1030398 / 2604460C91 / 2604460C92 / 3852265F98
Other Ref.	: 222336 / HDH010731 / NAV16441 / CAC512
Year	: 2011-2016

IC101 CAC



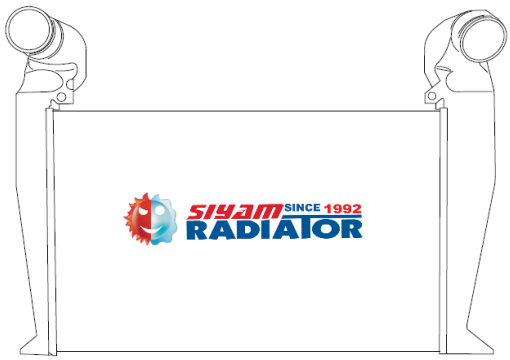
International	CV / GMC 4500, 5500, 6500
Core Size	: 27 3/4" x 20 7/8" x 1 15/16"
Construction	: Tube & Fin Powder Coated
Inlet Pipe	: 3"
Outlet Pipe	: 3"
OEM Ref.	: 2518553C91 / 19406355
Other Ref.	: 222411 / HDH010822 / CAC548
Year	: 2019-2022

IC121 CAC



International / Bluebird Series	
Core Size	: 23" x 30" x 1 5/8"
Construction	: Tube & Fin Powder Coated
Inlet Pipe	: 3 1/2"
Outlet Pipe	: 3 1/2"
OEM Ref.	: 1030010 / 1030010V / 1030232 / 1453232 / 1572691 / 1646077 / 1646077C1 / 1E3486 / 1E3488 / 1E3951 / 1E4761 / 2029812C1 / 2029812C91
Other Ref.	: 222046 / HDH010223 / CAC131
Year	: 1994-2013

IC134 CAC




International	5000SFA, 9370, 9600 Series
Core Size	: 37 1/2" x 24 5/8" x 1 5/8"
Construction	: Tube & Fin Powder Coated
Inlet Pipe	: 4"
Outlet Pipe	: 4"
OEM Ref.	: 1E3699 / 1S3699 / 2017955C91 / 2017963C1 / 3E7745 / 3E8252 / 85103375 / NVS102 / 2017963C2
Other Ref.	: 222054 / 441193 / CAC134C / HDH010227 / 44013521 / NAV16413 / FLX010716
Year	: 1995-1998




CHARGE AIR COOLER FOR INTERNATIONAL MODELS MD/HD

IC135 CAC




International	4100-4400 Series
Core Size	: 27 15/16" x 9 11/16" x 3 3/4"
Construction	: Tube & Fin Powder Coated
Inlet Pipe	: 3 1/2"
Outlet Pipe	: 3 1/2"
OEM Ref.	: 2504904C1 / 1E4898D / 1S4898 / 1S180117 / 2505508C93 / 2505509C93 / 1S180118 / 4C4Z6K775FA / 4C4O6K775FA / 2504418C1 / 2586790C1
Other Ref.	: 222261 / 44013509 / HDH010516 / CAC341 / FLX010737 / NAV16427 / 441300
Year	: 2008-2010

IC148 CAC




International	Durastar 4400
Core Size	: 37 3/4" x 9 5/8" x 4 1/4"
Construction	: Tube & Fin Powder Coated
Inlet Pipe	: 3 1/2"
Outlet Pipe	: 3 1/2"
OEM Ref.	: 2613047C91
Other Ref.	: 222353 / 441342 / HDH010782 / NAV16435 / CAC509
Year	: 2014-2016

IC151 CAC



International	99001 Series
Core Size	: 41" x 24 11/16" x 1 5/8"
Construction	: Tube & Fin Powder Coated
Inlet Pipe	: 3 1/2"
Outlet Pipe	: 4"
OEM Ref.	: 2586044C1 / 1S5600 / IS5600 / 1E5600 / IE5600 / 2507372C1
Other Ref.	: 222213 / HDH010513 / CAC338 / 441286 / FLX010728 / 4401-3513 / NAV16416
Year	: 2005-2009

IC152 CAC



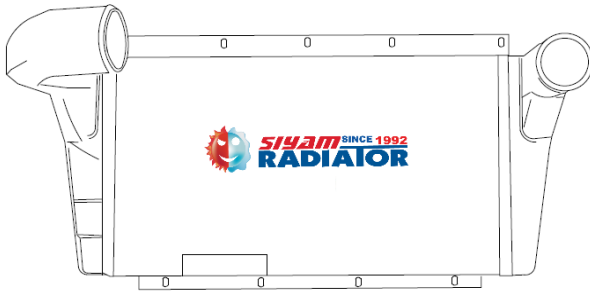
International	Workstar
Core Size	: 42 1/2" x 23 3/4" x 2 1/4"
Construction	: Tube & Fin Powder Coated
Inlet Pipe	: 3 1/2"
Outlet Pipe	: 3"
OEM Ref.	: 2604455C91 / 1030395 / 2604455C92 / 3852265F91 / 3852265F92 / 3852265F93 / 3852265F94 / 3852265F95 / 3852265F96 / 3852265F98
Other Ref.	: 222293 / NAV16431 / HDH010694 / CAC438
Year	: 2010-2014



CHARGE AIR COOLER FOR INTERNATIONAL MODELS MD/HD

IC156

CAC



International	4200-4900 Series
Core Size	: 23 3/8" x 12 1/2" x 2 3/4"
Construction	: Tube & Fin Powder Coated
Inlet Pipe	: 3"
Outlet Pipe	: 3"
OEM Ref.	: 1697719C1 / 1E3834 / 1E4040
Other Ref.	: 222057 / HDH010229 / 441232 / CAC136B / NAV16414 / FLX010718 / 4406-3502
Year	: 1994-2005

IC160

CAC



International	Prostar
Core Size	: 39 1/2" x 13 3/8" x 3 7/8"
Construction	: Tube & Fin Powder Coated
Inlet Pipe	: 4"
Outlet Pipe	: 4"
OEM Ref.	: 1E5965 / 2591558C91 / 1S180150 / 2596587C91 / 1S6126 / 1E6431 / IE6431 / 1N180148 / 1N180149 / 1N180150 / 1N180212 / 1N180237
Other Ref.	: 222257 / HDH010567 / CAC347 / 441304 / FLX010732 / NAV16422 / 4401-3529
Year	: 2010-2014

IC161

CAC



International	Transtar
Core Size	: 36 1/2" x 20 3/8" x 2"
Construction	: Tube & Fin Powder Coated
Inlet Pipe	: 3 1/2"
Outlet Pipe	: 3"
OEM Ref.	: 2604401C91 / 1030394 / 3839638F97 / 2604401C92 / 2604401-C91 / 2604401-C92
Other Ref.	: 222269 / HDH010693 / NAV16432 / CAC439
Year	: 2010-2013

IC162

CAC

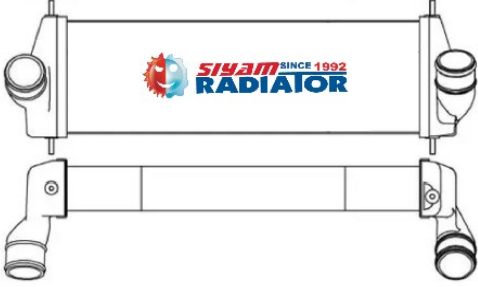


International	BE, CE School Bus
Core Size	: 32 3/4" x 9 3/4" x 4 1/4"
Construction	: Tube & Fin Powder Coated
Inlet Pipe	: 3"
Outlet Pipe	: 3"
OEM Ref.	: 1S5954 / 2593304C91
Other Ref.	: 222287 / HDH010787 / 4401-3532 / 441301 / NAV16436 / CAC475
Year	: 2008-2011



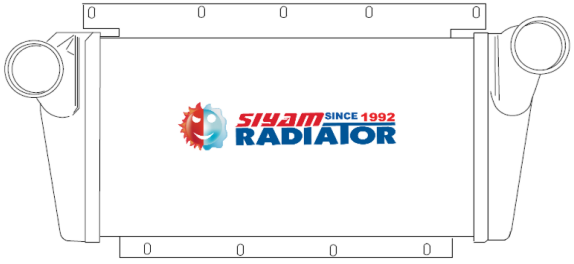
CHARGE AIR COOLER FOR INTERNATIONAL MODELS MD/HD

IC166 CAC




International	4100-4200
Core Size	: 27 7/8" x 9" x 3 9/16"
Construction	: Tube & Fin Powder Coated
Inlet Pipe	: 3"
Outlet Pipe	: 3"
OEM Ref.	: 2507377C1
Other Ref.	: 222301 / 4401-3516 / HDH010763 / NAV16440 / CAC488
Year	: 2008-2011

IC168 CAC




International	4200-4900 Series
Core Size	: 23 3/8" x 12 3/4" x 2 3/4"
Construction	: Tube & Fin Powder Coated
Inlet Pipe	: 3"
Outlet Pipe	: 3"
OEM Ref.	: 1E5104 / 1R3509 / IE5104 / 3527218C93 / 3534405C91 / 2018488C92 / 3527220C91 / 3506943C91 / 3506942C91 / 3506941C91 / 3506940C92
Other Ref.	: 222056 / HDH010310 / 441196 / NAV16408 / FLX010712 / 4406-3501 / CAC136
Year	: 1994-2005

IC172 CAC



International	HV w/A26
Core Size	: 46 1/2" x 22 1/8" x 2"
Construction	: Tube & Fin Powder Coated
Inlet Pipe	: 4"
Outlet Pipe	: 4"
OEM Ref.	: 2519410C91
Other Ref.	: 222419 / CAC549
Year	: 2019-2022

IC175 CAC



International	Navistar MV & HV
Core Size	: 37 7/8" x 9 5/8" x 4 1/4"
Construction	: Tube & Fin Powder Coated
Inlet Pipe	: 3"
Outlet Pipe	: 3"
OEM Ref.	: 2522407C91 / 1E0074300000
Other Ref.	: 222413 / CAC585
Year	: 2022+



CHARGE AIR COOLER FOR KENWORTH MODELS MD/HD TRUCKS

IC042 CAC

Kenworth	T600A / T600 / T800
Core Size	: 28 1/4" X 27 1/4" X 1 15/16"
Construction	: Tube & Fin, Powder Coated
Inlet Pipe	: 4"
Outlet Pipe	: 4"
OEM Ref.	: 4860900003 / 4860900004 / 4860900006 / 4860900032 / 4860905003 / 4860905004 / 4860905006 / 4870905004 / 85103370
Other Ref.	: 222061 / HDH010201 / 441105 / CAC110B / KEN16502 / FLX010302 / SRMKW10B / 4401-2509
Year	: 1994-2006

IC042BP CAC

Kenworth	T600A / T600 / T800
Core Size	: 28 1/4" X 27 1/4" X 1 15/16"
Construction	: Bar & Plate, Powder Coated
Inlet Pipe	: 4"
Outlet Pipe	: 4"
OEM Ref.	: 4860900003 / 4860900004 / 4860900006 / 4860900032 / 4860905003 / 4860905004 / 4860905006 / 4870905004 / 85103370
Other Ref.	: HDH010201BP
Year	: 1994-2006

IC043 CAC

Kenworth	T800 / W900
Core Size	: 28 1/4" X 27 1/4" X 1 15/16"
Construction	: Tube & Fin, Powder Coated
Inlet Pipe	: 4"
Outlet Pipe	: 4"
OEM Ref.	: 1E3385 / 1E3470 / 4861900002 / 4861900003 / 4861905002 / 4861905003
Other Ref.	: 222066 / HDH010202 / 4401-2507 / CAC112B / KEN16506 / 441103 / FLX010304 / SRMKW12B
Year	: 1987-2010

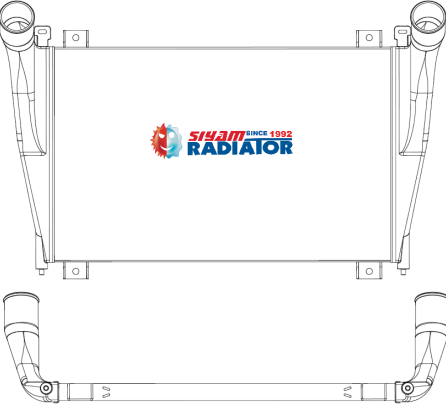
IC043BP CAC

Kenworth	T800 / W900
Core Size	: 28 1/4" X 27 1/4" X 1 15/16"
Construction	: Bar & Plate, Powder Coated
Inlet Pipe	: 4"
Outlet Pipe	: 4"
OEM Ref.	: 1E3385 / 1E3470 / 4861900002 / 4861900003 / 4861905002 / 4861905003
Other Ref.	: HDH010202BP
Year	: 1987-2010



CHARGE AIR COOLER FOR KENWORTH MODELS MD/HD TRUCKS

IC044 CAC



Kenworth T2000

Core Size : 40" X 25 3/4" X 2 1/4"

Construction : Tube & Fin, Powder Coated

Inlet Pipe : 4"

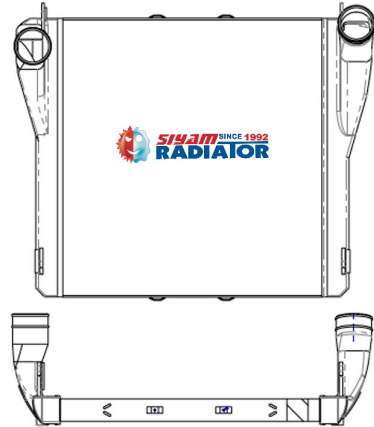
Outlet Pipe : 4"

OEM Ref. : 4870800001 / 4870805001 / 4870805001BX10 / 7517610001

Other Ref. : 222067 / HDH010203 / 4401-2503 / 441156 / CAC112C / KEN16510 / FLX010309 / SRMKW13E

Year : 1998-2007

IC045 CAC



Kenworth W900L, T660, W900, W990

Core Size : 29 1/8" X 30 11/13" X 2 1/2"

Construction : Tube & Fin, Powder Coated

Inlet Pipe : 4"

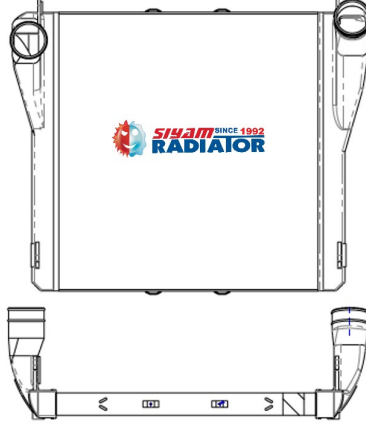
Outlet Pipe : 4"

OEM Ref. : N8798001 / N4106001 / N4106002 / W4715001 / W4715002

Other Ref. : 222223 / HDH010543 / CAC112G / PET17712 / 441274 / FLX010317 / SRMKW12G / 4401-2510

Year : 2008-2024

IC045BP CAC



Kenworth W900L, T660, W900, W990

Core Size : 29 1/8" X 30 11/13" X 2 1/2"

Construction : Bar & Plate, Powder Coated

Inlet Pipe : 4"


Outlet Pipe : 4"

OEM Ref. : N8798001 / N4106001 / N4106002 / W4715001 / W4715002

Other Ref. : HDH010543BP

Year : 2008-2024

IC066 CAC



Kenworth Kenworth T680 X15 Next Generation / Peterbilt 579 X15

Core Size : 14 3/4" x 17 7/8" x 2 3/4"

Construction : Tube & Fin, Powder Coated

Inlet Pipe : 4"

Outlet Pipe : 4"

OEM Ref. : PY092001

Other Ref. : 222408 / HDC010826 / CAC574

Year : 2022-2024



CHARGE AIR COOLER FOR KENWORTH MODELS MD/HD TRUCKS

IC066BP

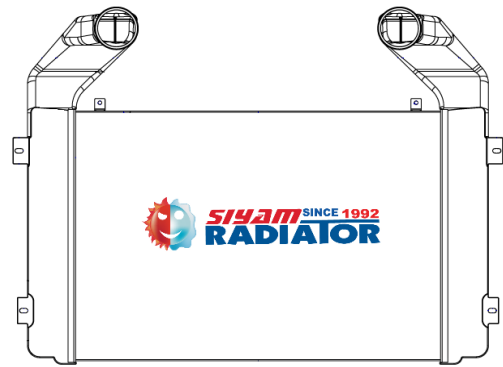
CAC



Kenworth Kenworth T680 X15 Next Generation / Peterbilt 579 X15
 Core Size : 14 3/4" x 17 7/8" x 2 3/4"
 Construction : Bar & Plate, Powder Coated
 Inlet Pipe : 4"
 Outlet Pipe : 4"
 OEM Ref. : PY092001
 Other Ref. : HDC010826BP
 Year : 2022-2024

IC070

CAC



Kenworth T800H / W900 / W900B
 Core Size : 34 5/8" x 24 1/4" x 2 3/4"
 Construction : Tube & Fin, Powder Coated
 Inlet Pipe : 4"
 Outlet Pipe : 4"
 OEM Ref. : F311068 / F31-1068 / X67195 / F311047 / K1068 / F311047 / F31-1047
 Other Ref. : 222379 / HDH010725 / CAC332
 Year : 2007-2009

IC081

CAC



Kenworth Kenworth T300 / Peterbilt 330, 335
 Core Size : 32 3/8" x 9" x 4 1/4"
 Construction : Tube & Fin, Powder Coated
 Inlet Pipe : 3 1/2"
 Outlet Pipe : 3 1/2"
 OEM Ref. : N4099002 / 1E5145 / 1E0051450000
 Other Ref. : 222295 / HDH010698 / 441308 / CAC321 / PET17707 / 4401-2506
 Year : 2003-2007

IC082

CAC



Kenworth T800, C500, W900
 Core Size : 34 13/16" x 23" x 2 1/4"
 Construction : Tube & Fin, Powder Coated
 Inlet Pipe : 4"
 Outlet Pipe : 4"
 OEM Ref. : 4861300002 / 4861305002 / 702714000 / KO9369
 Other Ref. : 222064 / HDH010257 / 441155 / CAC111B / KEN16509 / 4401-2511
 Year : 1995-2012



CHARGE AIR COOLER FOR KENWORTH MODELS MD/HD TRUCKS

IC089

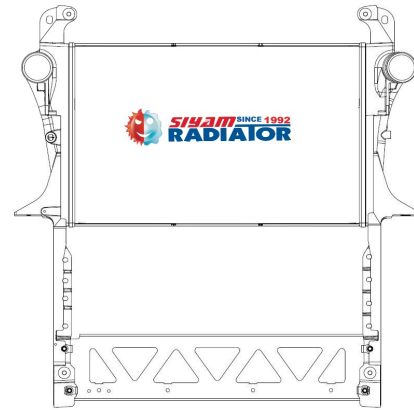
CAC



Kenworth Kenworth T270, T300, T470 / Peterbilt 337, 348, 330, 370
 Core Size : 37" x 19" x 2"
 Construction : Tube & Fin, Powder Coated
 Inlet Pipe : 4"
 Outlet Pipe : 4"
 OEM Ref. : W3090001 / W3090002 / V9557001 / V9557002
 Other Ref. : 222364 / HDH010798 / K3090 / PET17719 / CAC323
 Year : 2011-2023

IC100

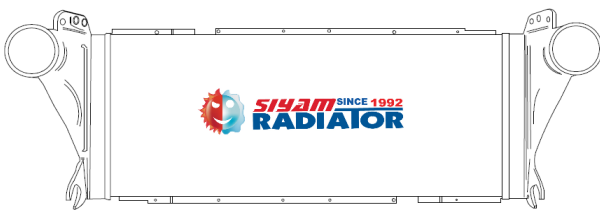
CAC



Kenworth Kenworth T380, T480 PX7, PX9, T180 / Peterbilt 536 PX7, 537, 548
 Core Size : 28 3/8" x 18 1/16" x 1 15/16"
 Construction : Tube & Fin, Powder Coated
 Inlet Pipe : 3"
 Outlet Pipe : 3"
 OEM Ref. : RF367001
 Other Ref. : 222409 / HDH010829 / CAC573
 Year : 2022-2024

IC147

CAC



Kenworth Kenworth T300, 370 / Peterbilt 330
 Core Size : 37 1/8" x 15 7/8" x 2"
 Construction : Tube & Fin, Powder Coated
 Inlet Pipe : 4"
 Outlet Pipe : 4"
 OEM Ref. : P2318001 / W6932001
 Other Ref. : 222304 / HDH010773 / 4401-2513 / PET17720 / CAC345
 Year : 2008-2016

IC155

CAC



Kenworth Kenworth T300, T400, T800 / Peterbilt 330
 Core Size : 37" x 17 1/8" x 2 1/4"
 Construction : Tube & Fin, Powder Coated
 Inlet Pipe : 4"
 Outlet Pipe : 4"
 OEM Ref. : 4862300002 / 4882800002 / 518997 / 85103373 / K09377 / K09377 / PC2973 / X43192
 Other Ref. : 222127 / 441218 / HDH010259 / CAC112D / KEN16511 / FLX010310 / 4401-3811
 Year : 1989-2010



CHARGE AIR COOLER FOR KENWORTH MODELS MD/HD TRUCKS

IC157

CAC



Kenworth	T800
Core Size	: 46 3/8" x 30 7/8" x 2 1/2"
Construction	: Tube & Fin, Powder Coated
Inlet Pipe	: 4 1/2"
Outlet Pipe	: 4 1/2"
OEM Ref.	: X4997001 / R1292001 / N9527001 / V9562002 / F3110581111110 / V9561001
Other Ref.	: 222356 / HDH010811 / CAC333 / KEN16512
Year	: 2008-2018

IC163

CAC



Kenworth	T800 Series
Core Size	: 44" x 24 1/2" x 2 1/4"
Construction	: Tube & Fin, Powder Coated
Inlet Pipe	: 4"
Outlet Pipe	: 4"
OEM Ref.	: 4863400001 / 4863405001 / K5001
Other Ref.	: 222373 / FLX010329 / KEN16514 / HDH010797 / CAC330
Year	: 1997-2007

IC167

CAC



Kenworth	T600-T800 Series
Core Size	: 30 7/8" x 14 1/8" x 4"
Construction	: Tube & Fin, Powder Coated
Inlet Pipe	: 4"
Outlet Pipe	: 4"
OEM Ref.	: 1E5164
Other Ref.	: 222222 / HDH010260 / CAC112E / 4401-3813
Year	: 2005-2007



CHARGE AIR COOLER FOR MACK MODELS MD/HD TRUCKS

IC046 CAC

Mack	RD Models, CV Granite
Core Size	: 30" X 24" X 1 15/16"
Construction	: Tube & Fin, Powder Coated
Inlet Pipe	: 4"
Outlet Pipe	: 4"
OEM Ref.	: 3MD527 / 3MD527A / 3MD538 / 3MD538A / 4843905001 / 4847540001 / 4853900001 / 4853900002 / 1030120 / 204SX278 / 3MD54 / 4853901
Other Ref.	: 222081 / HDH010207 / 4401-3001 / 441109 / CAC118B / MAC17305 / FLX010405 / SRMMAC15A
Year	: 1994-2005

IC046BP CAC

Mack	RD Models, CV Granite
Core Size	: 30" X 24" X 1 15/16"
Construction	: Bar & Plate, Powder Coated
Inlet Pipe	: 4"
Outlet Pipe	: 4"
OEM Ref.	: 3MD527 / 3MD527A / 3MD538 / 3MD538A / 4843905001 / 4847540001 / 4853900001 / 4853900002 / 1030120 / 204SX278 / 3MD54 / 4853901
Other Ref.	: HDH010207BP
Year	: 1994-2005

IC047 CAC

Mack	MR Series Cab-Over, Sanitation Trucks
Core Size	: 24 5/8" X 18 5/8" X 2 3/4"
Construction	: Tube & Fin, Powder Coated
Inlet Pipe	: 4"
Outlet Pipe	: 3"
OEM Ref.	: 3MD539 / 1030392 / 817120 / 21331433 / 3MD5540 / 3MD5539
Other Ref.	: 222201 / HDH010679 / CAC113E / 4401-3005 / MAC17325 / FLX010415
Year	: 1995-2006


IC048 CAC

Mack	CX Vision, Conventional Cab 38"
Core Size	: 37 5/8" X 28 1/2" X 2 5/8"
Construction	: Tube & Fin, Powder Coated
Inlet Pipe	: 3 1/2"
Outlet Pipe	: 3 1/2"
OEM Ref.	: 3MD543AM / 317D543M / BHT85946 / BHT85955 / 25174858 / 317D543M / 3MD543AM
Other Ref.	: 222231 / HDH010273 / CAC119E / MAC17323 / 441161 / FLX010436 / 4401-3010
Year	: 2003-2008




CHARGE AIR COOLER FOR MACK MODELS MD/HD TRUCKS

IC058 CAC



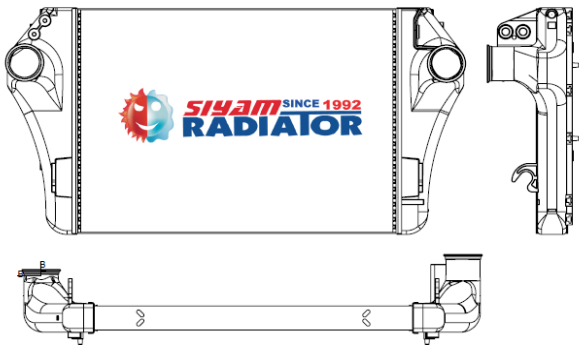
Mack	Mack CV, CXU Vision / Volvo VN, VNT
Core Size	: 32 1/2" X 30 3/16" X 2 3/8"
Construction	: Tube & Fin, Powder Coated
Inlet Pipe	: 4"
Outlet Pipe	: 4"
OEM Ref.	: 20517561 / 20956580 / 21504560 / 376761701 / M5707 / 21504544
Other Ref.	: 222237 / HDH010491 / CAC385 / VOL18822N / 441285 / FLX010633 / 401-4608
Year	: 2007-2018

IC058BP CAC




Mack	Mack CV, CXU Vision / Volvo VN, VNT
Core Size	: 32 1/2" X 30 3/16" X 2 3/8"
Construction	: Bar & Plate Powder Coated
Inlet Pipe	: 4"
Outlet Pipe	: 4"
OEM Ref.	: 20517561 / 20956580 / 21504560 / 376761701 / M5707 / 21504544
Other Ref.	: HDH010491BP
Year	: 2007-2018

IC067 CAC



Mack	Mack Granite, Anthem, CHU, CHN, GU Models with PTO / Volvo VNL, VHD, VAH, VNL, VNX, VNR, VHD with PTO
Core Size	: 32 7/16" x 23 1/4" x 2 1/2"
Construction	: Tube & Fin, Powder Coated
Inlet Pipe	: 4"
Outlet Pipe	: 4"
OEM Ref.	: 2095685 / 21504562 / 22341506 / 22769526 / 376761711 / M5706 / M5706202 / 20956585
Other Ref.	: 222240 / 441317 / HDH010570 / CAC384 / FLX010438 / MAC17329
Year	: 2020-2025

IC067BP CAC

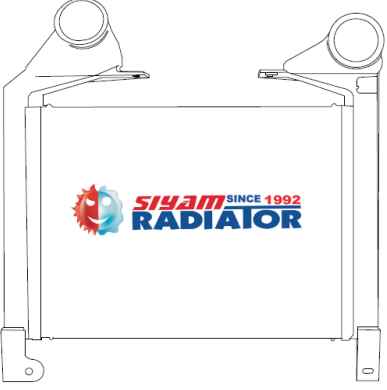


Mack	Mack Granite, Anthem, CHU, CHN, GU Models with PTO / Volvo VNL, VHD, VAH, VNL, VNX, VNR, VHD with PTO
Core Size	: 32 7/16" x 23 1/4" x 2 1/2"
Construction	: Bar & Plate Powder Coated
Inlet Pipe	: 4"
Outlet Pipe	: 4"
OEM Ref.	: 2095685 / 21504562 / 22341506 / 22769526 / 376761711 / M5706 / M5706202 / 20956585
Other Ref.	: HDH010570BP
Year	: 2020-2025



CHARGE AIR COOLER FOR MACK MODELS MD/HD TRUCKS

IC091 CAC



Mack MRU

Core Size	: 24 1/2" x 20 1/8" x 2 3/4"
Construction	: Tube & Fin, Powder Coated
Inlet Pipe	: 3 3/4"
Outlet Pipe	: 3 3/4"
OEM Ref.	: 3MD555M / 3MD564M / 1030389 / 21016740 / VAB1030389 / VAB1030343 / 22601968 / 1030343
Other Ref.	: 222241 / HDH010581 / MAC17326 / 441310 / FLX010439 / 4401-3014 / CAC480
Year	: 2007-2014


IC091BP CAC



Mack MRU

Core Size	: 24 1/2" x 20 1/8" x 2 3/4"
Construction	: Bar & Plate Powder Coated
Inlet Pipe	: 3 3/4"
Outlet Pipe	: 3 3/4"
OEM Ref.	: 3MD555M / 3MD564M / 1030389 / 21016740 / VAB1030389 / VAB1030343 / 22601968 / 1030343
Other Ref.	: HDH010581BP
Year	: 2007-2014


IC092 CAC



Mack CH

Core Size	: 38 3/8" x 27 1/4" x 2 1/4"
Construction	: Tube & Fin, Powder Coated
Inlet Pipe	: 3 1/2"
Outlet Pipe	: 3 1/2"
OEM Ref.	: 1030091 / 3MD511CP2 / 3MD532AM / 3MD532M / 3MD632AM / 817132 / PPD7132451EXCH / 7132450001 / 97032401 / 25168546
Other Ref.	: 222083 / HDH010209 / 4401-3007 / CAC119B / MAC17315 / FLX010412 / 441162
Year	: 2001-2005

IC093 CAC



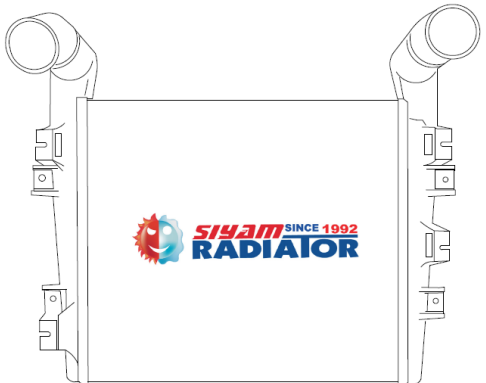
Mack CX Conventional Cab 34"

Core Size	: 27 3/8" x 26 7/8" x 2 1/4"
Construction	: Tube & Fin, Powder Coated
Inlet Pipe	: 3 1/2"
Outlet Pipe	: 3 1/2"
OEM Ref.	: 3MD541M / 3MD541AM / 1030195
Other Ref.	: 222128 / CAC119C / HDH010271 / MAC17322 / 441219 / 4401-3016
Year	: 2005-2011




CHARGE AIR COOLER FOR MACK MODELS MD/HD TRUCKS

IC095 CAC



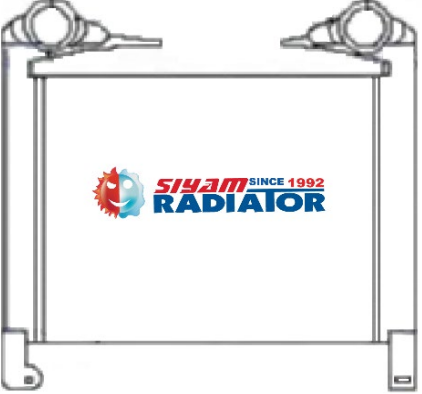
Mack	CL Series / MH
Core Size	: 27 3/8" x 26 7/8" x 2 1/4"
Construction	: Tube & Fin, Powder Coated
Inlet Pipe	: 4"
Outlet Pipe	: 4"
OEM Ref.	: 3MD514M / 3MD534M / 3MD534AM / 3MD535AM / 3MD535AM / 3MD537M / 3MD544M / 3MD634M / 1030146 / 1030151 / 1030172
Other Ref.	: 222074 / HDH010266 / 441159 / CAC115B / MAC17317 / FLX010417
Year	: 1988-2000

IC133 CAC




Mack	Vision CX613 Series
Core Size	: 34 1/2" x 25 1/2" x 2 1/4"
Construction	: Tube & Fin, Powder Coated
Inlet Pipe	: 3 1/2"
Outlet Pipe	: 3 1/2"
OEM Ref.	: 1030291 / 1030291A / 3MD545AM / 3MD545M / 3MD546M / 1030298 / 25195393 / 25175193
Other Ref.	: 222224 / HDH010272 / CAC119D / MAC17324 / 441125 / FLX010437 / 4401-3011
Year	: 2000-2007

IC136 CAC



Mack	LEU Series
Core Size	: 24 1/2" x 20" x 2 3/4"
Construction	: Tube & Fin, Powder Coated
Inlet Pipe	: 3 7/8" flanged connection
Outlet Pipe	: 3 7/8" flanged connection
OEM Ref.	: 3MD556M / 3MD565M / 21016744 / 1030390A / VAB1030390 / 1030390 / 22601970 / CB-MK19J / CMK19J / C-MK19J / MK19J
Other Ref.	: 222266 / HDH010582 / MAC17327 / 441309 / 4401-3015
Year	: 2007-2013

IC145 CAC



Mack	R and U Series
Core Size	: 30 1/2" x 25 1/4" x 2 1/2"
Construction	: Tube & Fin, Powder Coated
Inlet Pipe	: 4"
Outlet Pipe	: 4"
OEM Ref.	: 1E1014 / 1E2787D / 1E3022 / 1E3085 / 1E3194 / 1E3194D / 1E3395 / 1E3408 / 1E3524 / 1E3525 / 1E3589 / 1E3884 / 1E4014 / 3MD13AM
Other Ref.	: 222080 / HDH010206 / CAC118 / 4401-3002 / 441116 / MAC17308 / FLX010408
Year	: 1983-1991



CHARGE AIR COOLER FOR MACK MODELS MD/HD TRUCKS

IC173

CAC



Mack	MD6, MD7
Core Size	: 28 1/8" x 15 3/8" x 2"
Construction	: Tube & Fin, Powder Coated
Inlet Pipe	: 4"
Outlet Pipe	: 4"
OEM Ref.	:
Other Ref.	: 222418 / CAC572
Year	: 2021+



CHARGE AIR COOLER FOR PETERBILT MODELS MD/HD TRUCKS

IC049 CAC

Peterbilt 379 Conventional Cab

Core Size : 24 15/16" X 26 7/16" X 2 1/2"

Construction : Tube & Fin, Powder Coated

Inlet Pipe : 4 1/2"

Outlet Pipe : 4 1/2"

OEM Ref. : 0516673 / 0516674 / 0517631 / 0516904 / 0517631 / 1E3293 / 1E3390 / 1E3447 / 1E3484 / 1E4836 / 2312444 / 1E3267G / 1E3267 / 1E3216 / 1E3018

Other Ref. : 222099 / HDH010191 / 4401-3801 / 441104 / CAC102 / PET17701 / FLX010505

Year : 1989-1993

IC049BP CAC

Peterbilt 379 Conventional Cab

Core Size : 24 15/16" X 26 7/16" X 2 1/2"

Construction : Bar & Plate, Powder Coated

Inlet Pipe : 4 1/2"

Outlet Pipe : 4 1/2"

OEM Ref. : 0516673 / 0516674 / 0517631 / 0516904 / 0517631 / 1E3293 / 1E3390 / 1E3447 / 1E3484 / 1E4836 / 2312444 / 1E3267G / 1E3267 / 1E3216 / 1E3018

Other Ref. : HDH010191BP

Year : 1989-1993

IC050 CAC

Peterbilt 379 Conventional Cab, 357, 377, 378, 385, 386

Core Size : 33 12/16" X 30 3/13" X 1 15/16"

Construction : Tube & Fin, Powder Coated

Inlet Pipe : 4"

Outlet Pipe : 4"

OEM Ref. : 0518730 / 0518731 / 1E3316 / 1E3816 / 1E5635 / F316049 / 331009 / 357379 / 3E7747

Other Ref. : 222101 / HDH010189 / 4401-3809 / 441114 / CAC100 / PET17703 / FLX010504

Year : 1994-2007

IC050BP CAC

Peterbilt 379 Conventional Cab, 357, 377, 378, 385, 386

Core Size : 33 12/16" X 30 3/13" X 1 15/16"

Construction : Bar & Plate, Powder Coated

Inlet Pipe : 4"

Outlet Pipe : 4"

OEM Ref. : 0518730 / 0518731 / 1E3316 / 1E3816 / 1E5635 / F316049 / 331009 / 357379 / 3E7747

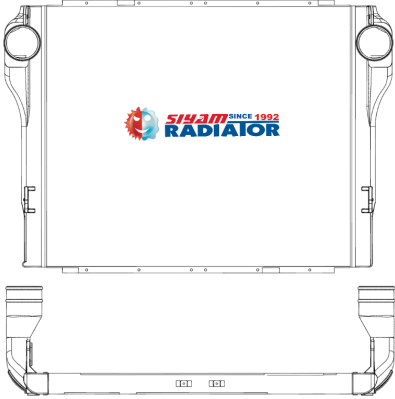
Other Ref. : HDH010189BP

Year : 1994-2007



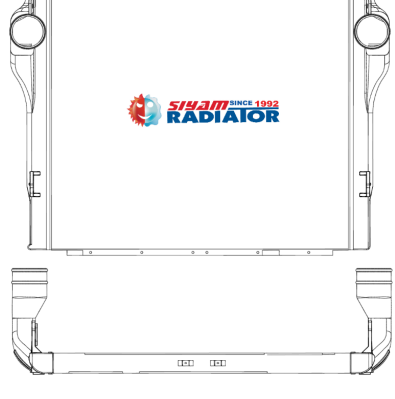
CHARGE AIR COOLER FOR PETERBILT MODELS MD/HD TRUCKS

IC051 CAC



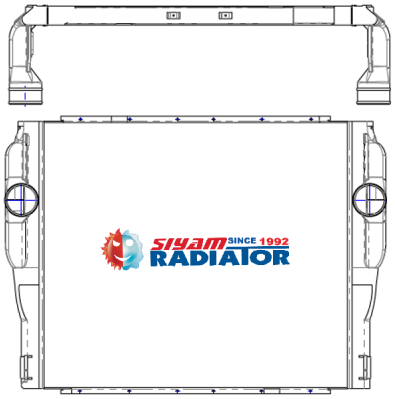
Peterbilt	Peterbilt 386, 384, 389 / Kenworth T440, W900, T800, T400
Core Size	: 34 7/16" X 30 1/2" X 1 15/16"
Construction	: Tube & Fin, Powder Coated
Inlet Pipe	: 4"
Outlet Pipe	: 4"
OEM Ref.	: N4404001 / N8787001 / V8196001 / W6928001 / N4404002 / N8787002 / W6928002
Other Ref.	: 222236 / HDH010547 / CAC318 / PET17711 / 441312 / FLX010515 / 4401-3812
Year	: 2008-2021

IC051BP CAC



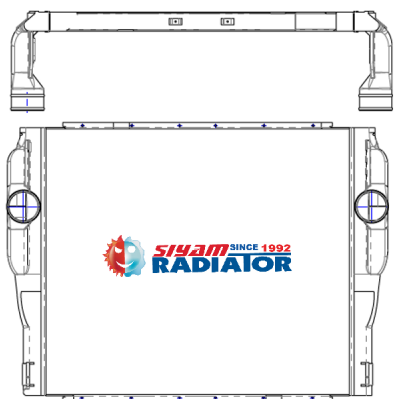
Peterbilt	Peterbilt 386, 384, 389 / Kenworth T440, W900, T800, T400
Core Size	: 34 7/16" X 30 1/2" X 1 15/16"
Construction	: Bar & Plate, Powder Coated
Inlet Pipe	: 4"
Outlet Pipe	: 4"
OEM Ref.	: N4404001 / N8787001 / V8196001 / W6928001 / N4404002 / N8787002 / W6928002
Other Ref.	: HDH010547BP
Year	: 2008-2021

IC052 CAC



Peterbilt	Peterbilt 309, 307, 306, 311, 310, 305, 300 / Kenworth W990, W900, W000P
Core Size	: 37 1/3" X 33 3/8" X 1 15/16"
Construction	: Tube & Fin, Powder Coated
Inlet Pipe	: 4"
Outlet Pipe	: 4"
OEM Ref.	: N4101001 / N4101002 / N8786001 / P3059001 / P3998001 / P9443001 / W6926001 / W6926002 / 2214074 / 2215225
Other Ref.	: 222239 / HDH010556 / CAC319 / 441279 / PET17715 / FLX010518 / 4401-2517
Year	: 2008-2024

IC052BP CAC

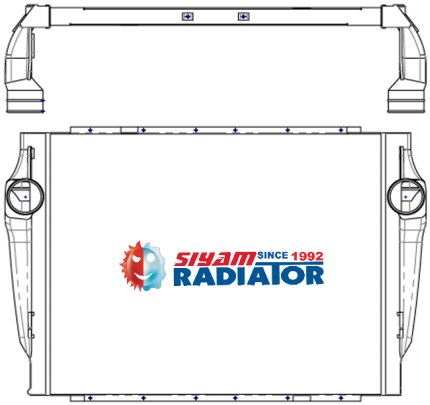


Peterbilt	Peterbilt 309, 307, 306, 311, 310, 305, 300 / Kenworth W990, W900, W000P
Core Size	: 37 1/3" X 33 3/8" X 1 15/16"
Construction	: Bar & Plate, Powder Coated
Inlet Pipe	: 4"
Outlet Pipe	: 4"
OEM Ref.	: N4101001 / N4101002 / N8786001 / P3059001 / P3998001 / P9443001 / W6926001 / W6926002 / 2214074 / 2215225
Other Ref.	: HDH010556BP
Year	: 2008-2024



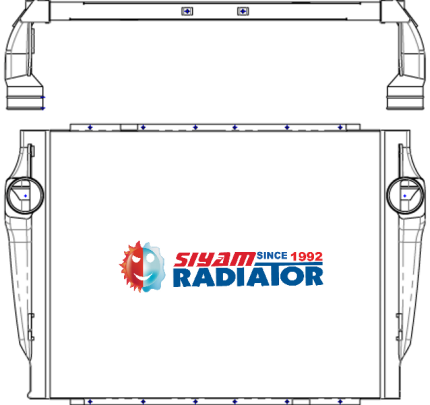
CHARGE AIR COOLER FOR PETERBILT MODELS MD/HD TRUCKS

IC053 CAC



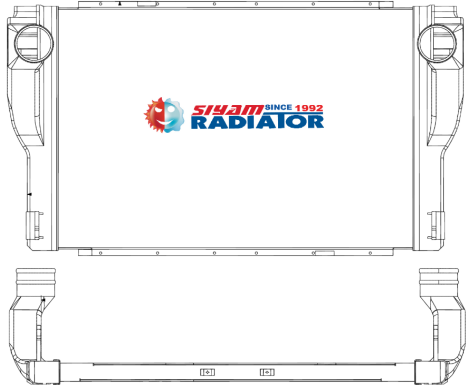
Peterbilt	Peterbilt 367, 567, 365, 355 / Kenworth T800, T660
Core Size	: 37 1/3" X 30 3/13" X 1 15/16"
Construction	: Tube & Fin, Powder Coated
Inlet Pipe	: 4"
Outlet Pipe	: 4"
OEM Ref.	: N4098001 / N4098002 / N7763001 / N9386001 / U8192001 / W6925001 / W6925002 / 1030531 / BHTU8192001
Other Ref.	: 222243 / HDH010566 / 441314 / CAC322 / PET17714 / FLX010516 / 4401-2512
Year	: 2007-2025

IC053BP CAC



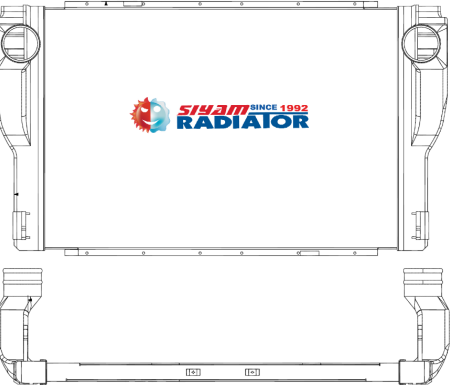
Peterbilt	Peterbilt 367, 567, 365, 355 / Kenworth T800, T660
Core Size	: 37 1/3" X 30 3/13" X 1 15/16"
Construction	: Bar & Plate, Powder Coated
Inlet Pipe	: 4"
Outlet Pipe	: 4"
OEM Ref.	: N4098001 / N4098002 / N7763001 / N9386001 / U8192001 / W6925001 / W6925002 / 1030531 / BHTU8192001
Other Ref.	: HDH010566BP
Year	: 2007-2025

IC054 CAC



Peterbilt	Peterbilt 587, 579, 579Epic, 367, 387 / Kenworth T880, 880S, T680, T800, T2000
Core Size	: 37 7/16" X 26" X 1 15/16"
Construction	: Tube & Fin, Powder Coated
Inlet Pipe	: 4"
Outlet Pipe	: 4"
OEM Ref.	: N1215001 / N4095001 / N4095002 / N8985001 / CV577001 / M4127000 / M4127001 / W6924001 / W6924002
Other Ref.	: 222281 / HDH010565 / CAC320 / PET17718 / FLX010517 / 4401-3815 / 441313
Year	: 2008-2021

IC054BP CAC



Peterbilt	Peterbilt 587, 579, 579Epic, 367, 387 / Kenworth T880, 880S, T680, T800, T2000
Core Size	: 37 7/16" X 30" X 1 15/16"
Construction	: Bar & Plate, Powder Coated
Inlet Pipe	: 4"
Outlet Pipe	: 4"
OEM Ref.	: N1215001 / N4095001 / N4095002 / N8985001 / CV577001 / M4127000 / M4127001 / W6924001 / W6924002
Other Ref.	: HDH010565BP
Year	: 2008-2021



CHARGE AIR COOLER FOR PETERBILT MODELS MD/HD TRUCKS

IC061

CAC



Peterbilt Peterbilt 579 / Kenworth T880 X15, T880 MX13, T680 X15

Core Size : 37 3/13" X 21 12/16" X 1 15/16"

Construction : Tube & Fin, Powder Coated

Inlet Pipe : 4"

Outlet Pipe : 4"

OEM Ref. : HK186001 / LH821001

Other Ref. : 222370 / HDH010796 / FLX010328 / KEN16513 / CAC324

Year : 2018-2025

IC061BP

CAC



Peterbilt Peterbilt 579 / Kenworth T880 X15, T880 MX13, T680 X15

Core Size : 37 3/13" X 21 12/16" X 1 15/16"

Construction : Bar & Plate, Powder Coated

Inlet Pipe : 4"

Outlet Pipe : 4"

OEM Ref. : HK186001 / LH821001

Other Ref. :

Year : 2018-2025

IC065

CAC



Peterbilt 320 Series

Core Size : 26" x 26 1/4" x 2 1/2"

Construction : Tube & Fin, Powder Coated

Inlet Pipe : 4"

Outlet Pipe : 4"

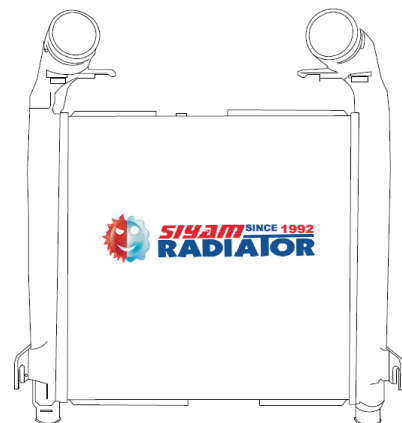
OEM Ref. : N4104001 / P1544001

Other Ref. : 222294 / 4401-3814 / 441358 / PET17717 / HDH010589

Year : 2008-2012

IC083

CAC



Peterbilt 320, 520 Garbage Trucks Upper CAC

Core Size : 26 1/8" x 26 1/4" x 2 1/2"

Construction : Tube & Fin, Powder Coated

Inlet Pipe : 4"

Outlet Pipe : 4"

OEM Ref. : W0993001 / X5929001 / X5931001 / EC172001

Other Ref. : 222367 / HDH010793 / P1710 / 441358 / FLX010520 / PET17722 / CAC528

Year : 2012-2022



CHARGE AIR COOLER FOR PETERBILT MODELS MD/HD TRUCKS

IC084 CAC

Peterbilt	320, 520 Garbage Trucks Lower CAC
Core Size	: 26 1/8" x 7 3/4" x 2 1/2"
Construction	: Tube & Fin, Powder Coated
Inlet Pipe	: 2 1/4"
Outlet Pipe	: 2 1/4"
OEM Ref.	: FW528001
Other Ref.	: 222366 / HDH010794 / P2001 / 441359 / FLX010521 / PET17721 / CAC529
Year	: 2012-2022

IC089 CAC

Peterbilt	Peterbilt 337, 348, 330, 370 / Kenworth T270, T300, T470
Core Size	: 37" x 19" x 2"
Construction	: Tube & Fin, Powder Coated
Inlet Pipe	: 4"
Outlet Pipe	: 4"
OEM Ref.	: W3090001 / W3090002 / V9557001 / V9557002
Other Ref.	: 222364 / HDH010798 / K3090 / PET17719 / CAC323
Year	: 2011-2023

IC147 CAC

Peterbilt	Peterbilt 330 / Kenworth T300, 370
Core Size	: 37 1/8" x 15 7/8" x 2"
Construction	: Tube & Fin, Powder Coated
Inlet Pipe	: 4"
Outlet Pipe	: 4"
OEM Ref.	: P2318001 / W6932001
Other Ref.	: 222304 / HDH010773 / 4401-2513 / PET17720 / CAC345
Year	: 2008-2016

IC153 CAC

Peterbilt	330
Core Size	: 34 7/8" x 16 7/8" x 2 1/4"
Construction	: Tube & Fin, Powder Coated
Inlet Pipe	: 4"
Outlet Pipe	: 4"
OEM Ref.	: 0518997 / 4862700004 / 518997 / CB-PB20H / CPB20H / C-PB20H / PB20H / PB20H
Other Ref.	: 222345 / HDH010587 / CAC112P / 4401-3811 / PET17716
Year	: 1989-2010



CHARGE AIR COOLER FOR PETERBILT MODELS MD/HD TRUCKS

IC155

CAC



Peterbilt	Peterbilt 330 / Kenworth T300, T400, T800
Core Size	: 37" x 17 1/8" x 2 1/4"
Construction	: Tube & Fin, Powder Coated
Inlet Pipe	: 4"
Outlet Pipe	: 4"
OEM Ref.	: 4862300002 / 4882800002 / 518997 / 85103373 / K09377 / KO9377 / PC2973 / X43192
Other Ref.	: 222127 / 441218 / HDH010259 / CAC112D / KEN16511 / FLX010310 / 4401-3811
Year	: 1989-2010

IC159



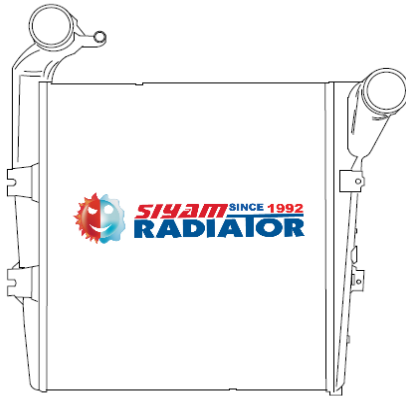
Peterbilt	387 Series
Core Size	: 25 7/8" x 19 1/8" x 3 1/8"
Construction	: Tube & Fin, Powder Coated
Inlet Pipe	: 4"
Outlet Pipe	: 4"
OEM Ref.	: 1E4580 / 1E4955 / 1E5634 / 1E4580D / 1E4955D / CAC087 / CB-PB20E / CPB20E / C-PB20E / PB20E
Other Ref.	: 222199 / HDH010233 / CAC087 / 4401-3804 / 441261 / PET17709
Year	: 2000-2006



CHARGE AIR COOLER FOR THOMAS MODELS MD/HD TRUCKS

IC122

CAC



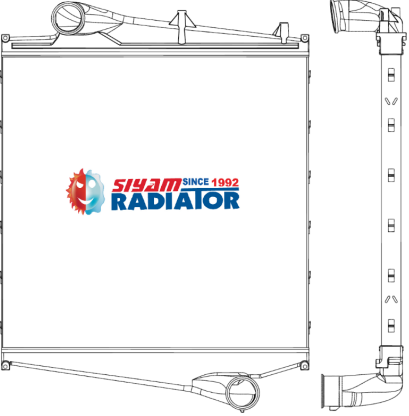
Thomas Bus Thomas EF Bus

Core Size	: 24" x 27" x 2 1/4"
Construction	: Tube & Fin, Powder Coated
Inlet Pipe	: 3 1/2"
Outlet Pipe	: 3 1/2"
OEM Ref.	:
Other Ref.	: 222377 / CAC489
Year	: 2007+



CHARGE AIR COOLER FOR VOLVO MODELS MD/HD TRUCKS

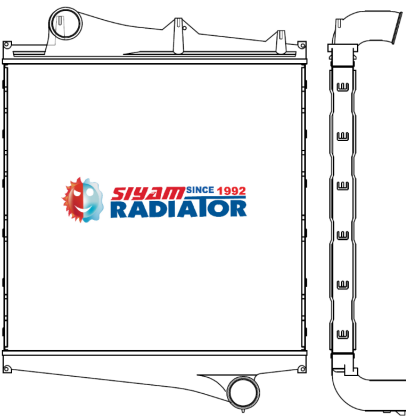
IC055 CAC



Volvo VN with Flange 2-1/4" thickness / VNL / VNM

Core Size	: 34 1/4" X 35 7/8" X 2 5/8"
Construction	: Tube & Fin, Powder Coated
Inlet Pipe	: 4"
Outlet Pipe	: 4"
OEM Ref.	: 1030154 / 1030268 / 1030283 / 20461061 / 20478517 / 20538674 / 2183920 / 3970777 / 3970779 / 80113572 / 80117125 / 8113574 / 8149562 / 85000234
Other Ref.	: 222113 / HDH010213 / 4401-4605 / CAC123C / VOL18813N / FLX010605 / 441169
Year	: 1997-2003


IC056 CAC



Volvo VN without Flange / VNL & VNM Models

Core Size	: 34 3/13" X 35 12/16" X 2 7/16"
Construction	: Tube & Fin, Powder Coated
Inlet Pipe	: 4"
Outlet Pipe	: 4"
OEM Ref.	: 3970775 / 8081130 / 8149362 / 97031701 / 97081101 / 98011901 / 9805180120370257 / 1030150 / 1030150JS / 1030150J
Other Ref.	: 222114 / HDH010214 / 4401-4603 / CAC123D / VOL18812 / FLX010603 / 441170
Year	: 1997-2005


IC057 CAC



Volvo VN w/Flange

Core Size	: 35 3/8" x 35 1/4" x 2 5/8"
Construction	: Tube & Fin, Powder Coated
Inlet Pipe	: 4"
Outlet Pipe	: 4"
OEM Ref.	: 1030266
Other Ref.	: 222198 / HDH010707 / CAC123CW / 441282 / VOL18817
Year	: 1997-2005

IC058 CAC




Volvo Volvo VN, VNT / Mack CV, CXU Vision

Core Size	: 32 1/2" X 30 3/16" X 2 3/8"
Construction	: Tube & Fin, Powder Coated
Inlet Pipe	: 4"
Outlet Pipe	: 4"
OEM Ref.	: 20517561 / 20956580 / 21504560 / 376761701 / M5707 / 21504544
Other Ref.	: 222237 / HDH010491 / CAC385 / VOL18822N / 441285 / FLX010633 / 401-4608
Year	: 2007-2018



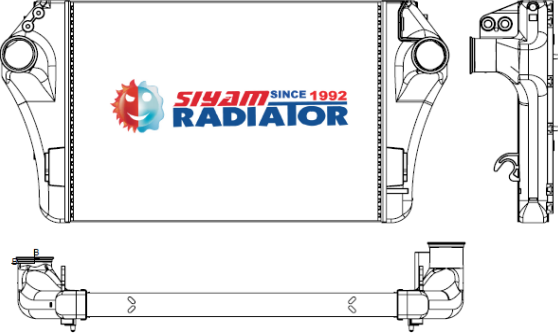
CHARGE AIR COOLER FOR VOLVO MODELS MD/HD TRUCKS

IC058BP CAC



Volvo	Volvo VN, VNT / Mack CV, CXU Vision
Core Size	: 32 1/2" X 30 3/16" X 2 3/8"
Construction	: Bar & Plate Powder Coated
Inlet Pipe	: 4"
Outlet Pipe	: 4"
OEM Ref.	: 20517561 / 20956580 / 21504560 / 376761701 / M5707 / 21504544
Other Ref.	: HDH010491BP
Year	: 2007-2018

IC067 CAC




Volvo	Volvo VNL, VHD, VAH, VNL, VNX, VNR, VHD with PTO / Mack Granite, Anthem, CHU, CHN, GU Models with PTO
Core Size	: 32 7/16" x 23 1/4" x 2 1/2"
Construction	: Tube & Fin, Powder Coated
Inlet Pipe	: 4"
Outlet Pipe	: 4"
OEM Ref.	: 2095685 / 21504562 / 22341506 / 22769526 / 376761711 / M5706 / M5706202 / 20956585
Other Ref.	: 222240 / 441317 / HDH010570 / CAC384 / FLX010438 / MAC17329
Year	: 2020-2025

IC067BP CAC



Volvo	Volvo VNL, VHD, VAH, VNL, VNX, VNR, VHD with PTO / Mack Granite, Anthem, CHU, CHN, GU Models with PTO
Core Size	: 32 7/16" x 23 1/4" x 2 1/2"
Construction	: Bar & Plate Powder Coated
Inlet Pipe	: 4"
Outlet Pipe	: 4"
OEM Ref.	: 2095685 / 21504562 / 22341506 / 22769526 / 376761711 / M5706 / M5706202 / 20956585
Other Ref.	: HDH010570BP
Year	: 2020-2025

IC140 CAC



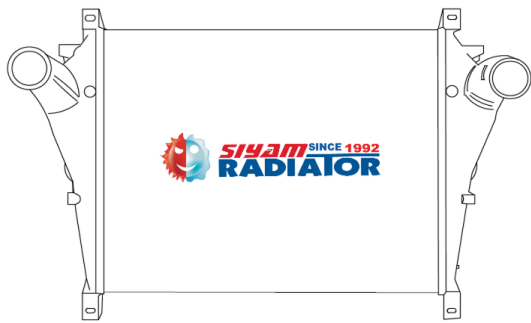
Volvo	WIA, Aero Series
Core Size	: 34 1/4" x 25 1/2" x 2 3/4"
Construction	: Tube & Fin, Powder Coated
Inlet Pipe	: 4"
Outlet Pipe	: 4"
OEM Ref.	: 1030031 / 1030054 / 1030075 / 1030121 / 219010002 / 219010002RW / 219013206 / 8064563 / 817123 / 817135 / 8174965 / 8178965 / 85103379
Other Ref.	: 222110 / HDH010211 / CAC123 / 4401-4602 / 441133 / VOL18801 / FLX010609
Year	: 1994-2001



CHARGE AIR COOLER FOR VOLVO MODELS MD/HD TRUCKS

IC149

CAC



Volvo	VHD
Core Size	: 32 5/16" x 26 1/4" x 2 1/4"
Construction	: Tube & Fin, Powder Coated
Inlet Pipe	: 3 7/8" Flanged
Outlet Pipe	: 3 1/2" Beaded
OEM Ref.	: 20491834 / 20498136 / 20498132 / CB-WGM30P / CWGM30P / C-WGM30P / WGM30P / V8132
Other Ref.	: 222255 / VOL18824 / FLX010626 / HDH010593 / CAC314 / 4401-4613 / 441356
Year	: 2002-2007



CHARGE AIR COOLER FOR WESTERN STAR MODELS MD/HD TRUCKS

IC062 CAC

Western Star	4900 Series
Core Size	: 35 1/2" x 24 5/8" x 2 1/2"
Construction	: Tube & Fin, Powder Coated
Inlet Pipe	: 4"
Outlet Pipe	: 4"
OEM Ref.	: 1E3903 / 1E3914 / 222273409 / 222273411 / 22273409 / 1E3903D / 1S3903 / 22273411 / 85103384 / IE3903 / IE3914 / IE3903D
Other Ref.	: 222122 / HDH010231 / 4401-4701 / 441199 / CAC142 / SRMWS35C / FLX011502
Year	: 1994-2003

IC062BP CAC

Western Star	4900 Series
Core Size	: 35 1/2" x 24 5/8" x 2 1/2"
Construction	: Bar & Plate, Powder Coated
Inlet Pipe	: 4"
Outlet Pipe	: 4"
OEM Ref.	: 1E3903 / 1E3914 / 222273409 / 222273411 / 22273409 / 1E3903D / 1S3903 / 22273411 / 85103384 / IE3903 / IE3914 / IE3903D
Other Ref.	: HDH010231BP
Year	: 1994-2003

IC088 CAC

Western Star	4900 / 6900
Core Size	: 37 3/4" x 29" x 2 1/4"
Construction	: Tube & Fin, Powder Coated
Inlet Pipe	: 4"
Outlet Pipe	: 4"
OEM Ref.	: 123330000 / 1E4781 / 1E4873D / 1E4893 / 1E5491 / 222273416 / 22273416 / 3E9526 / 521206000 / A0522960000 / 1S5491 / 1E0054910000
Other Ref.	: 222226 / HDH010313 / CAC142B / WES18204 / FLX011507 / 4401-4704 / 441275
Year	: 2003-2011

IC088BP CAC

Western Star	4900 / 6900
Core Size	: 37 3/4" x 29" x 2 1/4"
Construction	: Bar & Plate, Powder Coated
Inlet Pipe	: 4"
Outlet Pipe	: 4"
OEM Ref.	: 123330000 / 1E4781 / 1E4873D / 1E4893 / 1E5491 / 222273416 / 22273416 / 3E9526 / 521206000 / A0522960000 / 1S5491 / 1E0054910000
Other Ref.	: HDH010313BP
Year	: 2003-2011



CHARGE AIR COOLER FOR WESTERN STAR MODELS MD/HD TRUCKS

IC099

CAC



Western Star	4700SB L9 / Freightliner 114SD L9, M2 112
Core Size	: 36 7/8" x 19" x 2"
Construction	: Tube & Fin, Powder Coated
Inlet Pipe	: 3"
Outlet Pipe	: 3"
OEM Ref.	: 0132338002 / 01-32338-002 / 0132338000 / 01-32338-000 / V8050001
Other Ref.	: 222347 / HDH010786 / CAC494 / FRT18150 / 441349 / 4401-1747
Year	: 2014-2022

IC174

CAC



Western Star	Western Star 49x / Freightliner 114SD
Core Size	: 36 1/2" x 26 1/4" x 2"
Construction	: Tube & Fin, Powder Coated
Inlet Pipe	: 4"
Outlet Pipe	: 4"
OEM Ref.	: 1030513 / 05-37218-001 / 05-37218-005
Other Ref.	: 222414 / CAC579
Year	: 2023+



SIYAM SINCE 1992
RADIATOR

TO GET COOLER

CONTACT US TODAY

sales@siyam-group.com